



Storage Box Installation Guide

v20190923



NewTechWood

IMPORTANT:

Read All Sections Before You Start

For the most up to date information, please visit our website @ www.newtechwood.com

Prior to installing any composite product, it is recommended that you check with local building codes for any special requirements or restrictions. The diagrams and instructions outlined in this guide are for illustration purposes only and are not meant or implied to replace a licensed professional. Any construction or use of NewTechWood must be in accordance with all local zoning and/or building codes. The consumer assumes all risks and liability associated with the construction and use of this product.

Safety

When dealing with any type of construction project, it is necessary to wear appropriate safety equipment to avoid any risk of injuries. NewTechWood recommends but is not limited to the following safety equipment when handling, cutting, and installing the product: gloves, a respiratory protection, long sleeves, pants, and safety glasses.

Tools

Standard woodworking tools may be used. It is recommended that all blades have a carbide tip.

Environment

A clean, smooth, flat, and strong surface is needed to install the Storage Box correctly. Please check with local building codes before ever installing any type of decking. If installation does not occur immediately, NewTechWood's products need to be put on a flat surface at all times. It should NEVER be put on a surface that is NOT flat.

Static

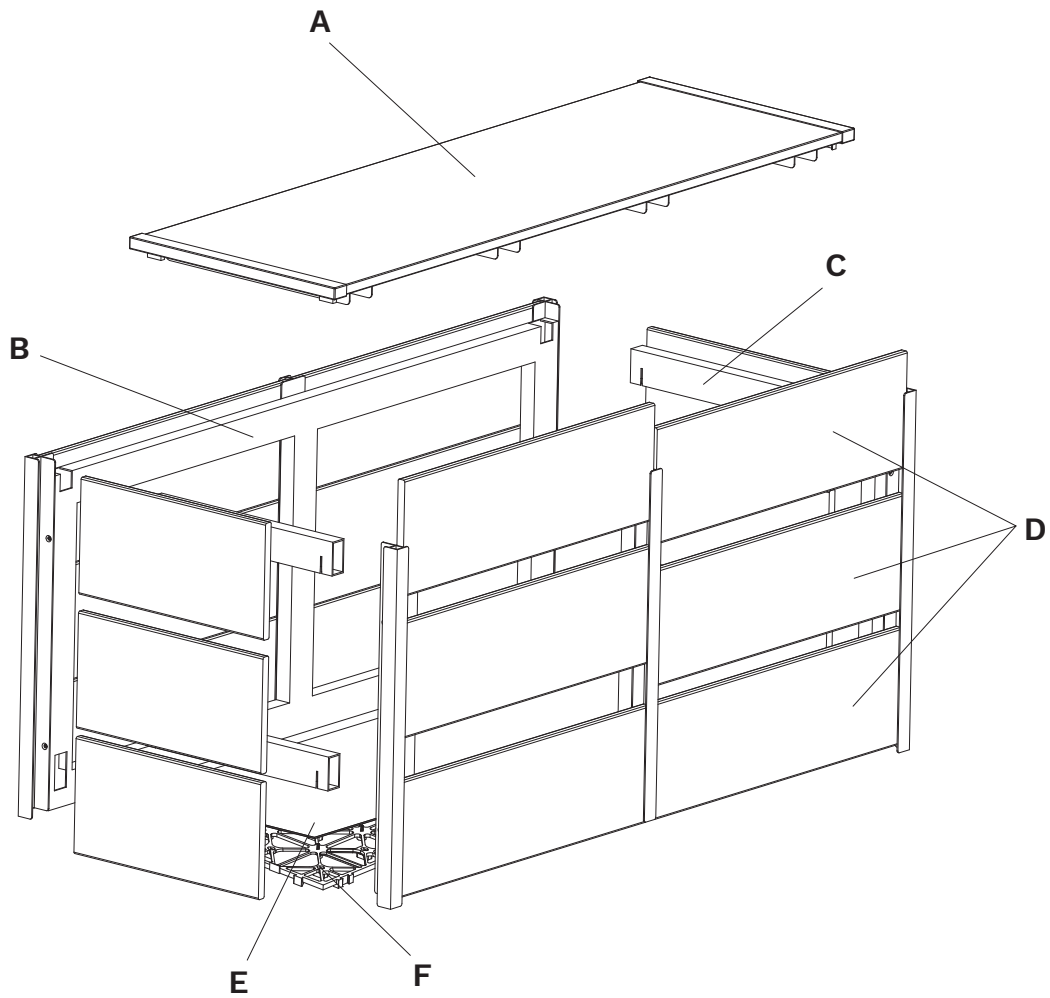
Static can also be more prevalent in areas that are of higher altitude because the humidity is lower. For these areas, be careful of using conducive objects such as metal railing and chairs as static shocks might occur more often. A potential way to lower the amount of static shocks occurring is to apply Staticide (www.aclstaticide.com) on your deck or use anti-static mats before doorways.

Layout

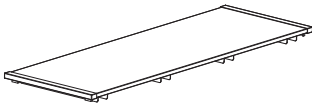
Before installing the Storage Box, always make sure that you are installing it on a clean smooth flat surface.

The Storage Box CANNOT be installed on places such as dirt, soil, or raised structure. It must be laid out on a flat solid surface.

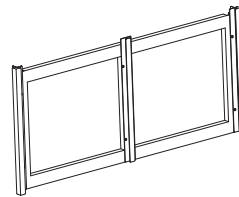
Storage Box Components



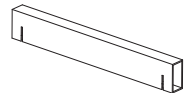
A - US56
(X1)



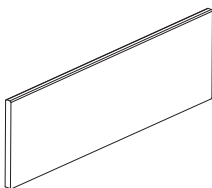
B - QDS0201
(X2)



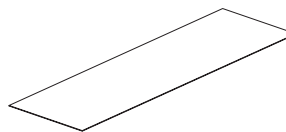
C - QDS0202
(X4)



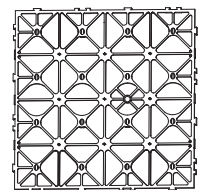
D - US08
(X18)



E - QDS0101
(X1)



F - QDG1
(X3)



The following installation is for the 1x3 storage stool.

- 1 Lay & connect the grids (F-QDG1) on a flat surface as shown in Diagram 1, 2, and 3.

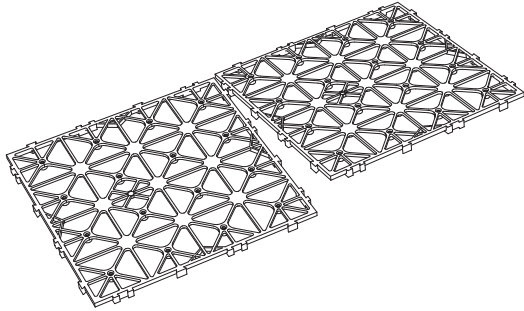


DIAGRAM 1

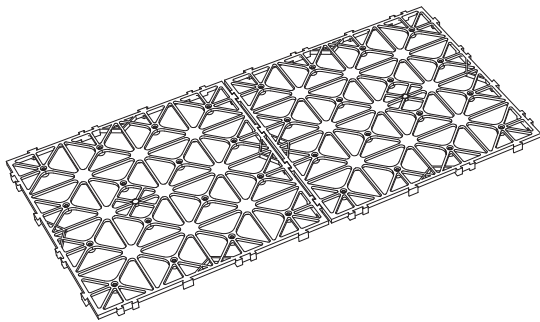


DIAGRAM 2

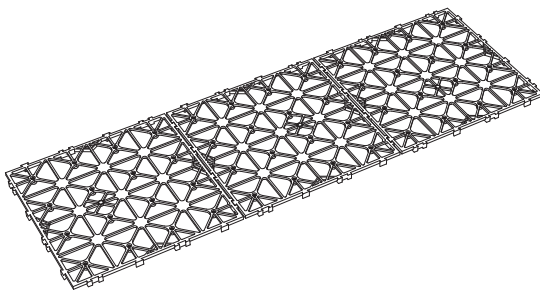


DIAGRAM 3

- 2 Put the waterproof base (E-QDS0101) on top of the three grids as shown in Diagram 4.

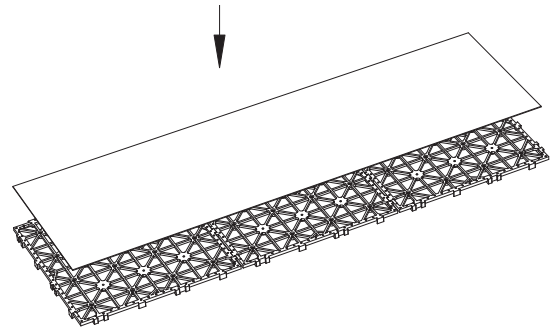


DIAGRAM 4

- 3 Now take aluminum frames (B-QDS0201) and frame connectors (C-QDS0202) and connect the aluminum frames together as shown in Diagram 5, 6, 7, and 8.

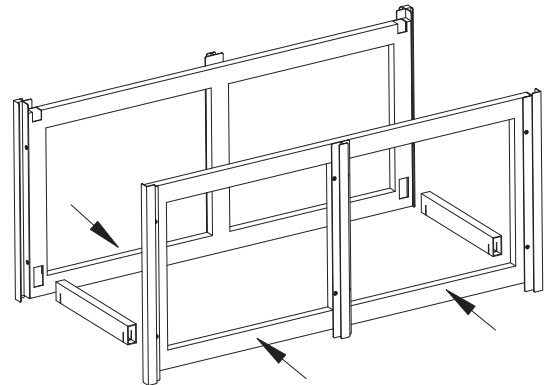


DIAGRAM 5

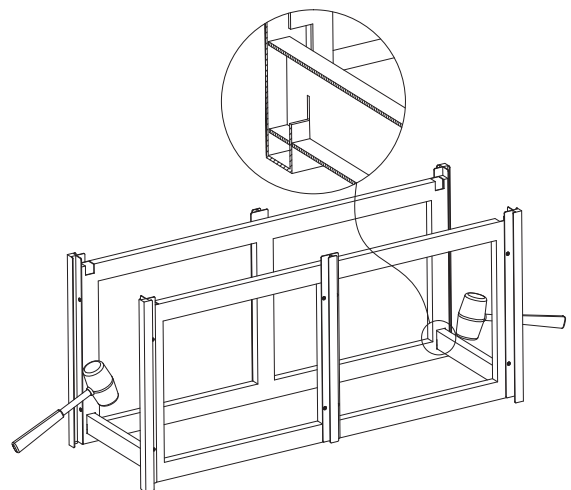


DIAGRAM 6

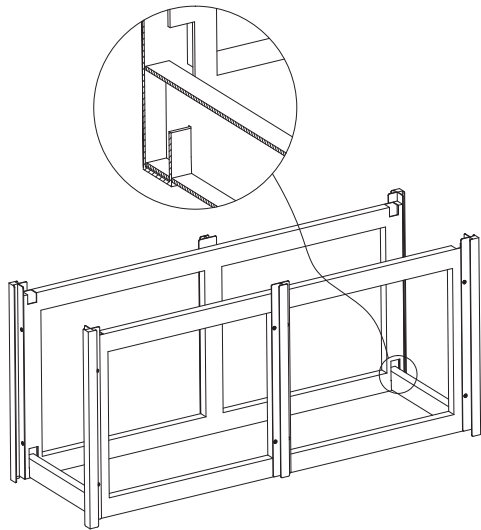


DIAGRAM 7

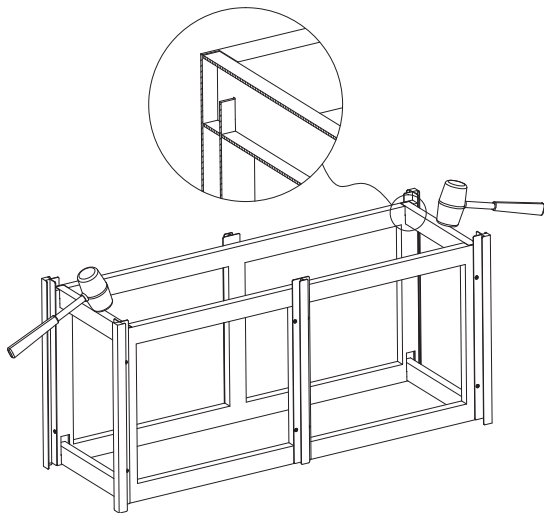


DIAGRAM 8

- 4** The frame will be sitting on the outside of the entire grid system after being installed as shown in Diagram 9 and 10.

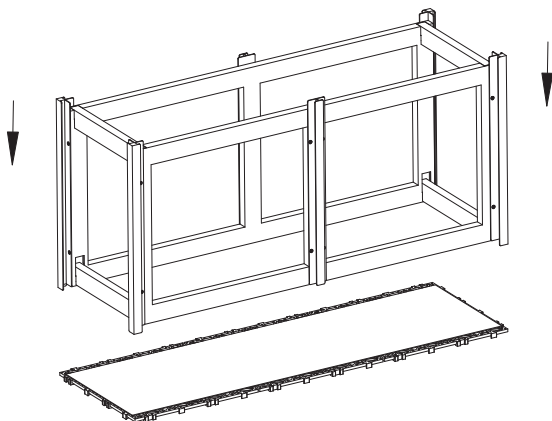


DIAGRAM 9

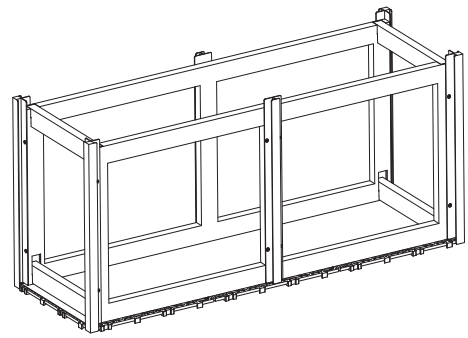


DIAGRAM 10

- 5** After installing the frame over the grids now the boards (D-US08) can be slotted into the metal frame as shown in Diagram 11 and 12.

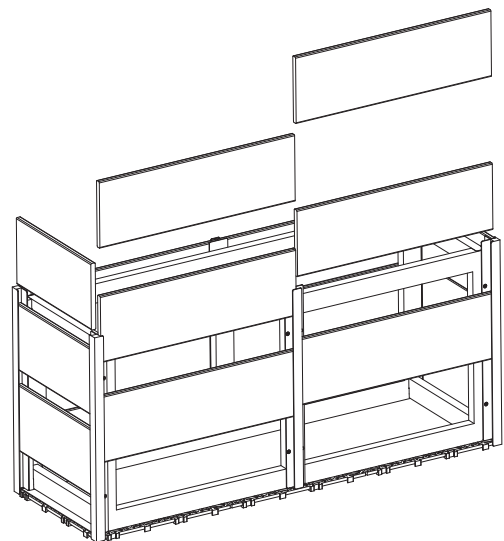


DIAGRAM 11

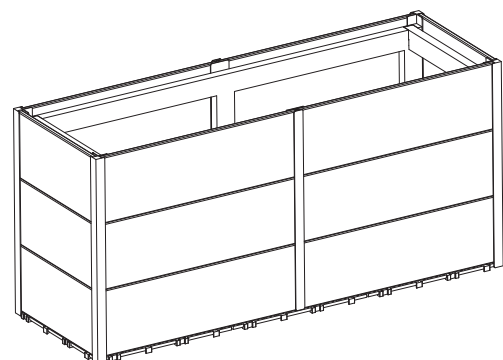


DIAGRAM 12

- 6 After all the boards are slotted the cover (A-US56) can be put on top as shown in Diagram 13 and 14.

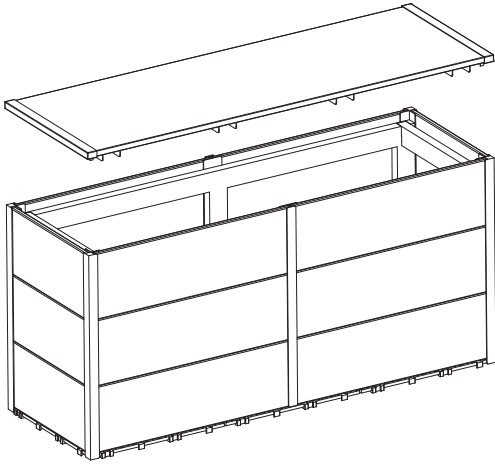


DIAGRAM 13

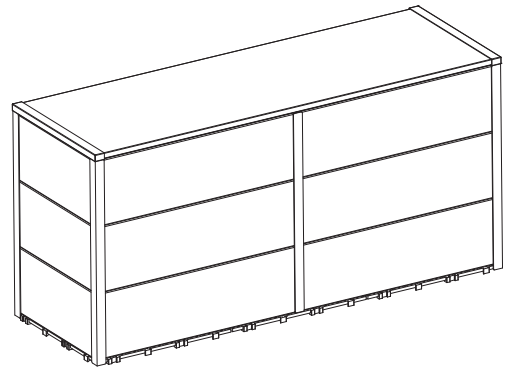


DIAGRAM 14



Storage Box Installation Guide

v20190923

©2019 Huidong Meixin Plastic Lumber Products Manufacturing Co., Ltd.
NewTechWood® is a registered trademark of Huidong Meixin Plastic Lumber Products Manufacturing Co., Ltd. To obtain a copy of the most current version of this installation guide, visit us online at www.newtechwood.com.

