



DEPARTMENT OF REGULATORY AND ECONOMIC RESOURCES (RER)
BOARD AND CODE ADMINISTRATION DIVISION

NOTICE OF ACCEPTANCE (NOA)

MIAMI-DADE COUNTY
PRODUCT CONTROL SECTION
11805 SW 26 Street, Room 208
Miami, Florida 33175-2474
T (786) 315-2590 F (786) 315-2599
www.miamidade.gov/economy

NewTechWood America, Inc.
15912 International Plaza Dr.
Houston, TX 77032

SCOPE:

This NOA is being issued under the applicable rules and regulations governing the use of construction materials. The documentation submitted has been reviewed and accepted by Miami-Dade County RER-Product Control Section to be used in Miami Dade County and other areas where allowed by the Authority Having Jurisdiction (AHJ).

This NOA shall not be valid after the expiration date stated below. The Miami-Dade County Product Control Section (In Miami Dade County) and/or the AHJ (in areas other than Miami Dade County) reserve the right to have this product or material tested for quality assurance purposes. If this product or material fails to perform in the accepted manner, the manufacturer will incur the expense of such testing and the AHJ may immediately revoke, modify, or suspend the use of such product or material within their jurisdiction. RER reserves the right to revoke this acceptance if it is determined by Miami-Dade County Product Control Section that this product or material fails to meet the requirements of the applicable building code.

This product is approved as described herein and has been designed to comply with the Florida Building Code, including the High Velocity Hurricane Zone.

DESCRIPTION: Allweather Model US09 Cladding Panels Composite Siding System

APPROVAL DOCUMENT: Drawing No. **20-168**, titled “New Tech Wood Wall Cladding Panel US09 System”, sheets 1 through 5 of 5, dated 07/02/2020, prepared by Tilteco, Inc., signed and sealed by Walter A. Tillit, Jr., P.E., bearing the Miami-Dade County Product Control revision stamp with the Notice of Acceptance number and approval date by the Miami-Dade County Product Control Section.

MISSILE IMPACT RATING: Large and Small Missile Impact Resistant

LABELING: A permanent label with the manufacturer's name or logo, manufacturing plant’s city and state, model/series, and following statement: "Miami-Dade County Product Control Approved", is to be located on each panel.

RENEWAL of this NOA shall be considered after a renewal application has been filed and there has been no change in the applicable building code negatively affecting the performance of this product.

TERMINATION of this NOA will occur after the expiration date or if there has been a revision or change in the materials, use, and/or manufacture of the product or process. Misuse of this NOA as an endorsement of any product, for sales, advertising or any other purposes shall automatically terminate this NOA. Failure to comply with any section of this NOA shall be cause for termination and removal of NOA.

ADVERTISEMENT: The NOA number preceded by the words Miami-Dade County, Florida, and followed by the expiration date may be displayed in advertising literature. If any portion of the NOA is displayed, then it shall be done in its entirety.

INSPECTION: A copy of this entire NOA shall be provided to the user by the manufacturer or its distributors and shall be available for inspection at the job site at the request of the Building Official.

This NOA revises NOA # **19-0528.04** and consists of this page 1 and evidence pages E-1 and E-2, as well as approval document mentioned above.

The submitted documentation was reviewed by **Carlos M. Utrera, P.E.**

NOPA Draft

NOA No. 20-0811.13
Expiration Date:
Approval Date:
Page 1

NOTICE OF ACCEPTANCE: EVIDENCE SUBMITTED

1. Evidence submitted under NOA # 19-0528.04

A. DRAWINGS

1. Drawing No. **18-089**, titled “New Tech Wood Wall Cladding Panel US09 System”, sheets 1 through 5 of 5, dated 09/12/2018, prepared by Tilteco, Inc., signed and sealed by Walter A. Tillit, Jr., P.E. on 09/09/2019.

B. TESTS

1. Letter of clarification for Test Report No. **BT-NTW-18-001**, dated 07/15/2019, signed and sealed by Constantin Bortes, P.E.
2. Test reports on 1) Uniform Static Air Pressure Test, Loading per FBC TAS 202-94
2) Cyclic Wind Pressure Loading per FBC, TAS 203-94
along with marked-up drawings of US09 Cladding Panel System, prepared by Blackwater Testing, Inc., Test Report No. **BT-NTW-18-001**, dated 09/04/2018, signed and sealed by Constantin Bortes, P.E.

C. CALCULATIONS

1. Anchor verification calculations prepared by Tilteco, Inc., dated 09/12/2018, signed and sealed by Walter A. Tillit, Jr., P.E. on 02/20/2019.

D. QUALITY ASSURANCE

1. Miami-Dade Department of Regulatory and Economic Resources (RER)

E. MATERIAL CERTIFICATIONS

1. Test reports on Accelerated Weathering (Xenon Arc Light) per ASTM G155-05a and Tensile Strength per ASTM D638-10 of US09 Cladding Panel System, prepared by Blackwater Testing, Inc., Test Report No. **BT-NTW-19-001**, dated 05/07/2019, signed and sealed by Constantin Bortes, P.E.
2. Test report on Surface Burning Characteristics (Flame Spread and Smoke Developed) per ASTM E84-18 of NewTechWood All Weather Siding System, prepared by QAI Laboratories, Test Report No. **RJ6449F-1**, dated 08/30/2018, signed by Brian Ortega.
3. Test report on Plastics Rate of Burning per ASTM D635-14 of NewTechWood All Weather Siding System, prepared by QAI Laboratories, Test Report No. **RJ6449F-2**, dated 08/30/2018, signed by Brian Ortega
4. Test report on Ignition Temperature of Plastics per ASTM D1929-16 of NewTechWood All Weather Siding System, prepared by QAI Laboratories, Test Report No. **RJ6449F-3**, dated 08/31/2018, signed by Brian Ortega.

F. STATEMENTS

1. Statement letter of code conformance to the 6th edition (2017) FBC issued by Tilteco, Inc., dated 02/21/2019, signed and sealed by Walter A. Tillit, Jr., P.E.
2. Statement letter of no financial interest issued by Tilteco, Inc., dated 02/21/2019, signed and sealed by Walter A. Tillit, Jr., P.E.
3. Distributor agreement dated 08/01/2019.

Carlos M. Utrera, P.E.
Product Control Examiner
NOA No. 20-0811.13
Expiration Date:
Approval Date:

NOTICE OF ACCEPTANCE: EVIDENCE SUBMITTED

2. New evidence submitted

A. DRAWINGS

1. Drawing No. **20-168**, titled “New Tech Wood Wall Cladding Panel US09 System”, sheets 1 through 5 of 5, dated 07/02/2020, prepared by Tilteco, Inc., signed and sealed by Walter A. Tillit, Jr., P.E.

B. TESTS

1. None.

C. CALCULATIONS

1. None.

D. QUALITY ASSURANCE

1. Miami-Dade Department of Regulatory and Economic Resources (RER)

E. MATERIAL CERTIFICATIONS

1. None.

F. STATEMENTS

1. Statement letter of code conformance to the 7th edition (2020) FBC issued by Tilteco, Inc., dated 07/06/2020, signed and sealed by Walter A. Tillit, Jr., P.E.

Carlos M. Utrera, P.E.
Product Control Examiner
NOA No. 20-0811.13
Expiration Date:
Approval Date:

GENERAL NOTES:

1. THIS PRODUCT APPROVAL DOCUMENT (P.A.D.) FOR NEWTECHWOOD CLADDING PANEL **US09** SYSTEM, INDICATED AND SPECIFIED ON THIS DRAWING, HAS BEEN VERIFIED FOR COMPLIANCE IN ACCORDANCE WITH THE **2017 (6th EDITION)** AND **2020 (7th EDITION)** OF THE FLORIDA BUILDING CODE. DESIGN WIND LOADS FOR EACH INSTALLATION SHALL BE DETERMINED AS PER SECTION **1620** OF THE ABOVE MENTIONED CODE, USING **ASCE 7-10 (FBC 2017)** AND **ASCE 7-16 (FBC 2020)** STANDARD AND SHALL NOT EXCEED THE MAXIMUM (A.S.D.) DESIGN PRESSURE RATING INDICATED ON THIS SHEET.

IN ORDER TO VERIFY THE ABOVE CONDITION, ULTIMATE DESIGN WIND LOADS DETERMINED PER ASCE **7-10** AND **ASCE 7-16** SHALL BE FIRST REDUCED TO A.S.D. DESIGN WIND LOADS BY MULTIPLYING THEM BY 0.6 IN ORDER TO COMPARE THESE W/ MAX. (A.S.D.) DESIGN PRESSURE RATINGS INDICATED ON THIS SHEET.

IN ORDER TO VERIFY THAT COMPONENTS AND ANCHORS ON THIS P.A.D. AS TESTED WERE NOT OVER STRESSED, A 33% INCREASE IN ALLOWABLE STRESS FOR WIND LOADS WAS **NOT** USED IN THEIR ANALYSIS. A DURATION FACTOR CD=1.60 WAS USED FOR VERIFICATION OF FASTENERS IN WOOD.

NEWTECHWOOD CLADDING PANEL **US09** PROFILES' ADEQUACY FOR WIND AND FATIGUE RESISTANCE HAS BEEN VERIFIED IN ACCORDANCE WITH SECTION 1626 OF THE ABOVE MENTIONED CODE AS PER BLACKWATER TESTING INC. REPORT #BT-NTW 18 001 PER TAS 202 & 203 PROTOCOLS, AND AS PER SUBMITTED STRUCTURAL CALCULATIONS, PERFORMED AS PER SECTIONS 1616 AND 1604 OF THE FLORIDA BUILDING CODE. SEE NOTE 8 BELOW FOR ADDITIONAL TESTING PERFORMED ON PRODUCT.

2. BUILDING WALL SYSTEM WHERE CLADDING PANELS WILL BE INSTALLED SHALL BE DESIGNED BY A FLORIDA REGISTERED PROFESSIONAL ENGINEER OR ARCHITECT AND SHALL BE BUILT IN ACCORDANCE WITH THE FLORIDA BUILDING CODE FOR IMPACT, WIND & WATER RESISTANCE AS PER SECTIONS 1626.4(1), 1404.4, 1404.6 AND 1626.4(2), 1404.2 OF THE FLORIDA BUILDING CODE. SEE NOTES ON SHEET 5 FOR ADDED LIMITATIONS & CONDITIONS FOR WOOD FRAME WALLS.

3. MAXIMUM A.S.D. DESIGN WIND PRESSURE RATING FOR THIS PRODUCT IS +150 , -150 p.s.f. *

* PROFILES TO BE CONTINUOUS MIN. OVER 3 SPANS.

- 4. COMPONENTS FOR THIS PRODUCT SHALL BE AS INDICATED ON SHEET 2 OF THIS DRAWING.
- 5. SUBSTRUCTURE (COMPONENTS # **9A** & **9B**) PROVIDING SUPPORT TO NEWTECHWOOD CLADDING PANEL **US09** SYSTEM MUST BE PROPERLY ANCHORED TO TRANSFER LOADS TO THE EXISTING STRUCTURAL WALL OR CEILING SYSTEM. SUBSTRUCTURE PROFILES MUST BE AS INDICATED ON BILL OF MATERIALS SHEET 2, AND SHALL BE SPACED AS PER DETAILS ON SHEETS 3 & 4.
- 6. THIS PRODUCT'S INSTALLATION SHALL COMPLY WITH ALL SPECS INDICATED IN THIS DRAWING PLUS ANY BUILDING AND ZONING REGULATIONS PROVIDED BY THE JURISDICTION WHERE PERMIT IS APPLIED TO.
- 7. (a) THIS P.A.D. PREPARED BY THIS ENGINEER IS GENERIC AND DOES NOT PROVIDE INFORMATION FOR A SITE SPECIFIC PROJECT: i.e. WHERE THE SITE CONDITIONS DEVIATE FROM THE P.A.D.
- (b) CONTRACTOR TO BE RESPONSIBLE FOR THE SELECTION, PURCHASE AND INSTALLATION INCLUDING LIFE SAFETY OF THIS PRODUCT BASED ON THIS P.A.D. PROVIDED HE/SHE DOES NOT DEVIATE FROM THE CONDITIONS DETAILED IN THIS DOCUMENT. CONSTRUCTION SAFETY AT SITE IS THE CONTRACTOR'S RESPONSIBILITY.
- (c) THIS P.A.D. WILL BE CONSIDERED INVALID IF MODIFIED.
- (d) SITE SPECIFIC PROJECTS SHALL BE PREPARE BY A FLORIDA REGISTERED ENGINEER OR ARCHITECT WHICH WILL BE RESPONSIBLE FOR THE PROPER USE OF THE P.A.D.. PROFESSIONAL OF RECORD, ACTING AS A DELEGATED ENGINEER TO THE P.A.D. ENGINEER SHALL SUBMIT TO THIS LATTER THE SITE SPECIFIC DRAWINGS FOR REVIEW.
- (e) ORIGINAL P.A.D. SHALL BEAR THE DATE AND ORIGINAL SEAL AND SIGNATURE OF THE PROFESSIONAL ENGINEER THAT PREPARED IT.
- 8. CLADDING PANEL **US09** SYSTEM PROFILES ARE MADE OF A TECHNOLOGICAL WOOD MATERIAL COMPOSED OF THE COMBINATION OF A PVC COMPONENT AND WOOD FIBERS TO CREATE A MATERIAL WITH A DIMENSIONAL STABILITY THAT IS MUCH GREATER THAN BOTH TRADITIONAL WPC AND WOOD ITSELF.

PANEL HAS NO PROBLEM RESISTING WATER BECAUSE 80% OF THE WOOD FIBERS ARE COATED BY THE POLYMERIC COMPONENT (PVC AND OTHER ELEMENTS IN THE FORMULA) AND ITS ALSO COATED WITH A CAP LAYER MADE OF POLYETHYLENE BASED COMPOUNDED POLYMER W/58 HARDNESS, PROVIDED BY NEWTECHWOOD AMERICA, INC. CONTAINS NO TOXIC MATERIALS, IS LEED COMPLAINT (SUSTAINABILITY) AND IS NOT SUBJECT TO THE DESTRUCTIVE ACTION OF WOODWORM, FUNGI AND PARASITES. THERMAL EXPANSION MUST BE CONSIDERED DEPENDING ON PANEL LENGTH BY USING COEFFICIENT OF THERMAL EXPANSION LISTED BELOW. PANEL MATERIAL FIRE BURNING CHARACTERISTICS AND WEATHERING HAVE BEEN VERIFIED AS FOLLOWS:

QUALIFICATION	TEST METHOD	TEST RESULT
DENSITY	ASTM D 2395	1.14 gr/cm ³ (71.1lb/ft ³)
BENDING STRENGTH	ASTM D 4761	3,000 psi
MODULUS OF ELASTICITY	ASTM D 4761	493,000 psi
COEFFICIENT OF LINEAR THERMAL EXPANSION	ASTM D 696	35.6 x10 ⁻⁶ mm/mm °C
WATER ABSORPTION AND HUMIDITY	ASTM D 1073	LITTLE UP TO NO WATER ABSORPTION. (0.11 %) (ONLY SURFACE MOISTURING)
FLAME SPREAD	ASTM E 84	80 (CLASS C)*
SMOKE INDEX	ASTM E 84	300 (CLASS C)*
RATE, EXTENT & TIME OF BURNING	ASTM D 635	CC1 *
SPONTANEOUS SELF/IGNITION TEMP.	ASTM D 1929	820° F *
FLASH IGNITION TEST	ASTM D 1929	800° F *
WEATHERING FOR OUTDOOR EXPOSURE	ASTM G 155 ASTM D 638	9.1% **

* TEST # RJ6449F-1, RJ6449F-2 & RJ6449F-3 BY QAI LAB.
** PER BLACKWATER TESTING INC. REPORT # BT-NTW-19-001

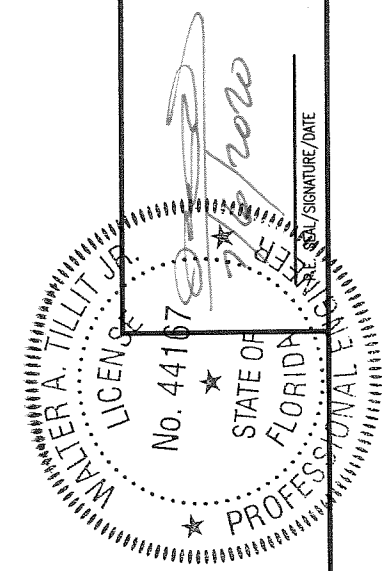
9. A PERMANENT PRODUCT MANUFACTURE'S LABEL SHALL BE PLACED ON THE EXPOSED SURFACE OF THE PROFILE. LABEL HALL BE READ AS FOLLOWS:
NEW TECH WOOD AMERICA INC.
CLADDING PANEL MODEL US09
HOUSTON, TEXAS 77032
MIAMI-DADE COUNTY PRODUCT CONTROL APPROVED

THIS DRAWING SHALL ONLY BE USED TO OBTAIN PERMITS IN THE STATE OF FLORIDA

M.P. DRAWN BY: 7/2/2020 DATE: 20-168 DRAWING NO. SHEET 1 OF 5

FLORIDA BUILDING CODE (HIGH VELOCITY HURRICANE ZONE)
NEW TECH WOOD WALL CLADDING PANEL
US09 SYSTEM
NewTechWood America Inc.
15912 INTERNATIONAL PLAZA DRIVE
HOUSTON, TEXAS 77032

©2020 TILTECO, INC.
TILTECO inc.
TILIT TESTING & ENGINEERING COMPANY
6335 Pharoah Lane, Suite 150, Houston, TX 77036
Phone: (281) 437-1530 Fax: (281) 437-1531
WALTER A. TILLIT JR. P.E.
FLORIDA Lic. # 44167



BILL OF MATERIALS

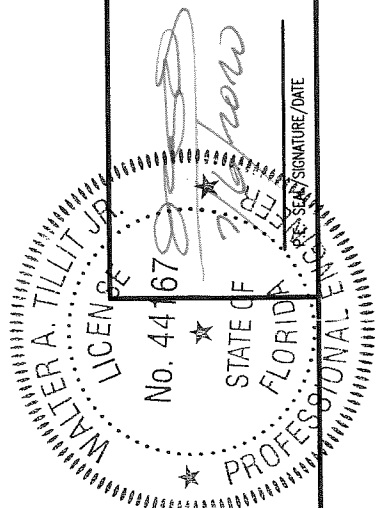
COMPONENT No.	DESCRIPTION	DIMENSIONS	MATERIAL	MANUFACTURER	NOTES
①	STARTER CLIP	SEE COMPONENT DETAIL	6063-T5 ALLOY	NEW TECH WOOD	RAW FINISH LENGTH MODEL#AW02
②A	FLAT HEAD WOOD SCREW	#8-18 X 3/4"	AISI 304 STAINLESS STEEL	NEW TECH WOOD	TO FIX ①, ⑤ & ⑦ TO ⑨A
②B	FLAT HEAD SELF DRILLING SCREW	#8-18 X 1/2"	AISI 401 STAINLESS STEEL	NEW TECH WOOD	TO FIX ①, ⑤ & ⑦ TO ⑨B
③*	CLADDING PANEL	SEE COMPONENT DETAIL	COMPOSITE PLASTIC WOOD NEW TECH WOOD	NEW TECH WOOD	CLADDING SYSTEM MODEL#US09
④	LOCKING SCREW	#4 X 1/2"	AISI 401 STAINLESS STEEL	NEW TECH WOOD	TO FIX ③ TO ⑤
⑤	MOUNTING CLIP	SEE COMPONENT DETAIL	6063-T5 ALLOY	NEW TECH WOOD	USE IN BETWEEN ③ MODEL#AW08
⑥A	FLAT HEAD WOOD SCREW	#10-16 X 1 1/2"	AISI 304 STAINLESS STEEL	NEW TECH WOOD	TO FIX ③ TO ⑨A
⑥B	FLAT HEAD SELF DRILLING SCREW	#10-16 X 1 3/16"	AISI 401 STAINLESS STEEL	NEW TECH WOOD	TO FIX ③ TO ⑨B
⑦	SPACER	SEE COMPONENT DETAIL	RUBBER	NEW TECH WOOD	USE AT END, OPTIONAL TO ⑧, W/ ②A, ②B TO ⑨A, ⑨B MODEL#T-7
⑧*	TRIM COVER	SEE COMPONENT DETAIL	COMPOSITE PLASTIC WOOD NEW TECH WOOD	NEW TECH WOOD	USE AT END, OPTIONAL TO ⑦, W/ ②A, ②B TO ⑨A, ⑨B MODEL#US-44. CONT.
⑨A	WOOD SUBFRAME	2.00" X 1.00" (NOMINAL) X CONT.	P.T. SOUTHERN PINE #2(G=0.55)	-	SUPPORT FOR ③ FIXED TO EXISTING STRUCTURE W/ ⑩
⑨B	TUBE SUBFRAME	1.00" x 0.50" x 0.059" THK.	6063-T5 ALLOY	NEW TECH WOOD	SUPPORT FOR ③ FIXED TO EXISTING STRUCTURE W/ ⑩
⑩	FASTENERS FOR ⑨A, ⑨B	1/4"Ø FLAT HEAD ULTRACONS	AISI 410 STAINLESS STEEL	ELCO CONST. PRODUCTS	SEE ANCHOR SCHEDULE ON SHEET 5

FLORIDA BUILDING CODE (HIGH VELOCITY HURRICANE ZONE)

NEW TECH WOOD WALL CLADDING PANEL
US08 SYSTEM

NewTechWood America Inc.
15912 INTERNATIONAL PLAZA DRIVE
HOUSTON, TEXAS 77032

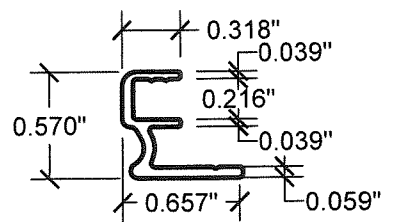
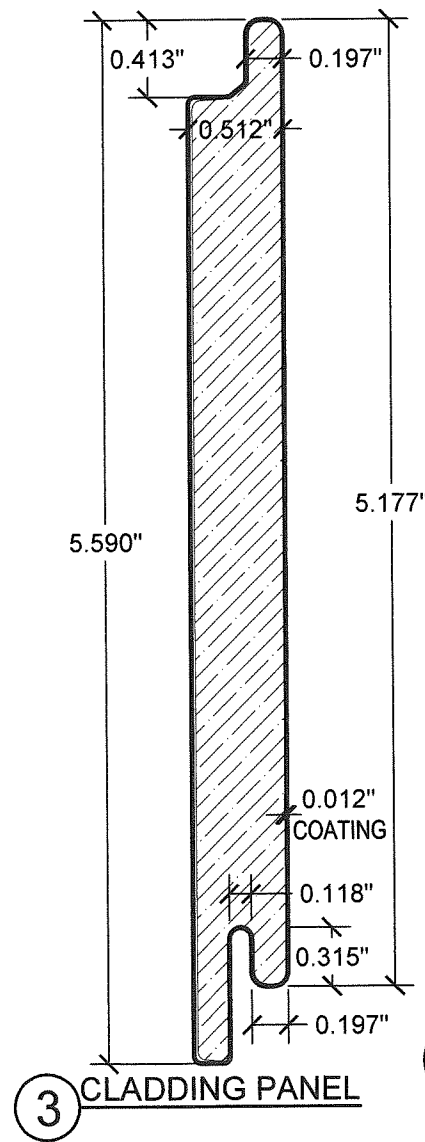
©2020 TILTECO, INC.
TILTECO INC.
TILIT TESTING & ENGINEERING COMPANY
6355 N.W. 36th St., Suite 100, Virginia Beach, VA 23462
Phone: (757) 491-3311 Fax: (757) 491-1531
WALTER A. TILIT JR., P.E.
CA-0006719
FLORIDA Lic. # 44167



M.P. DRAWN BY: DATE: 7/2/2020
DRAWING No. 20-168
SHEET 2 OF 5

COMPONENTS

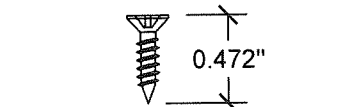
SCALE: 1"=0'-1"



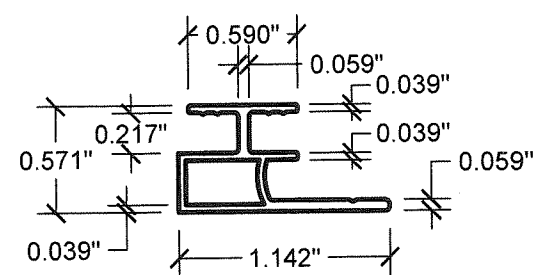
① STARTER CLIP
1.10" LONG

②A FLAT HEAD WOOD SCREW

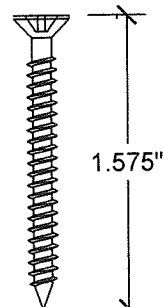
②B F.H SELF DRILLING SCREW



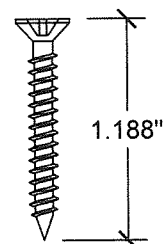
④ LOCKING SCREW



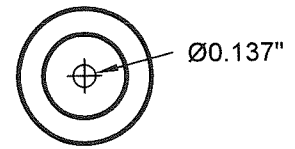
⑤ MOUNTING CLIP
1.10" LONG



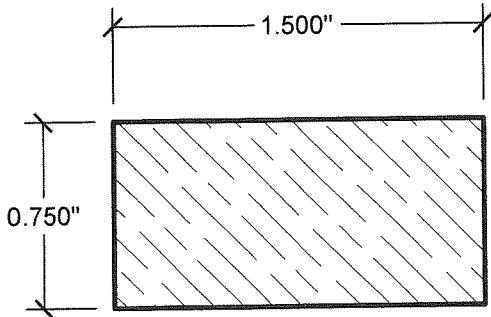
⑥A FLAT HEAD WOOD SCREW



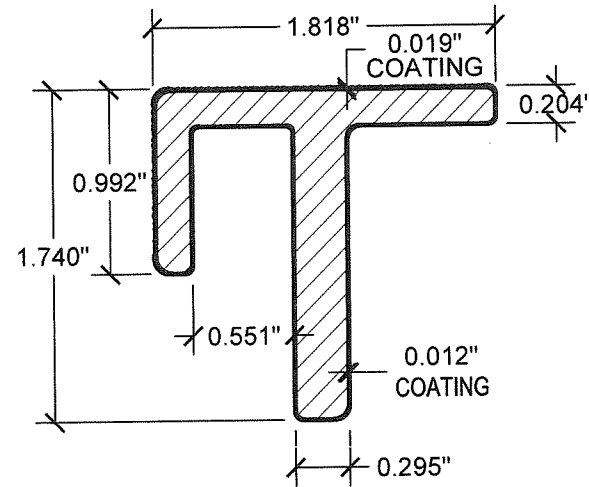
⑥B F.H SELF DRILLING SCREW



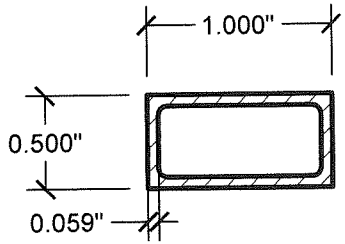
⑦ SPACER



⑨A WOOD SUBFRAME

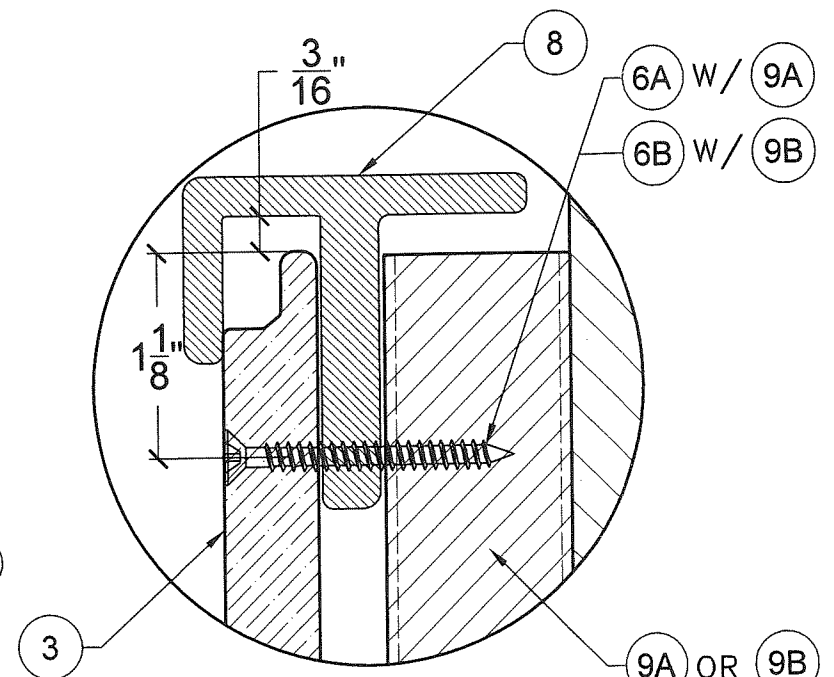
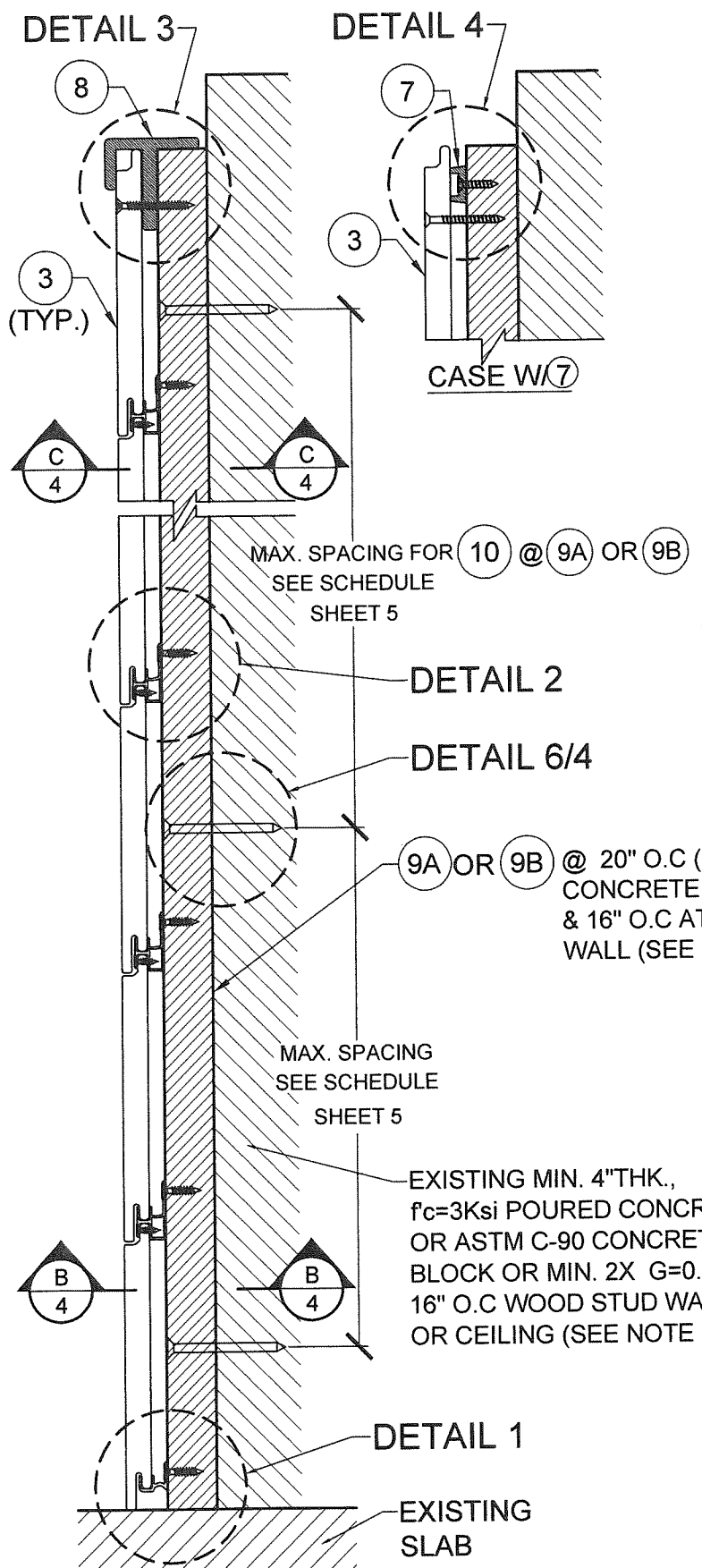


⑧ TRIM COVER

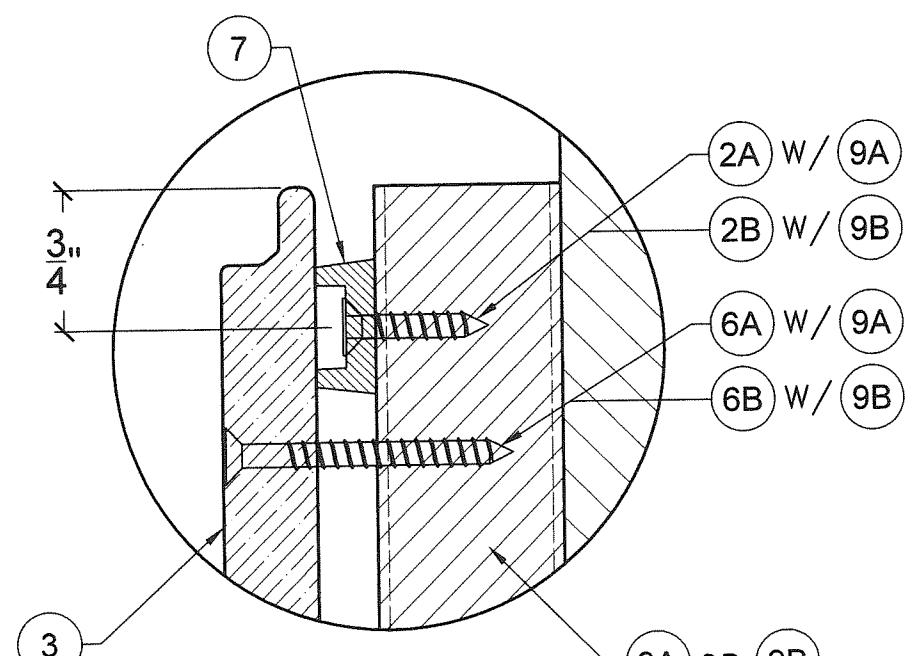


⑨B TUBE SUBFRAME

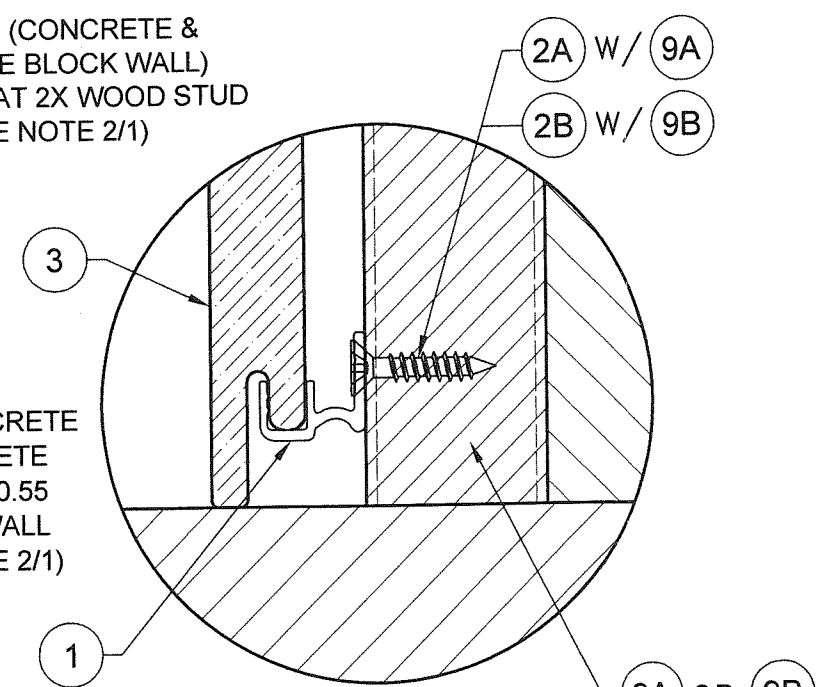
* COATING IS A CAP LAYER MADE OF POLYETHYLENE BASED COMPOUNDED POLYMER W/ 58 HARDNESS PROVIDED BY NEW TECH WOOD AMERICA INC.



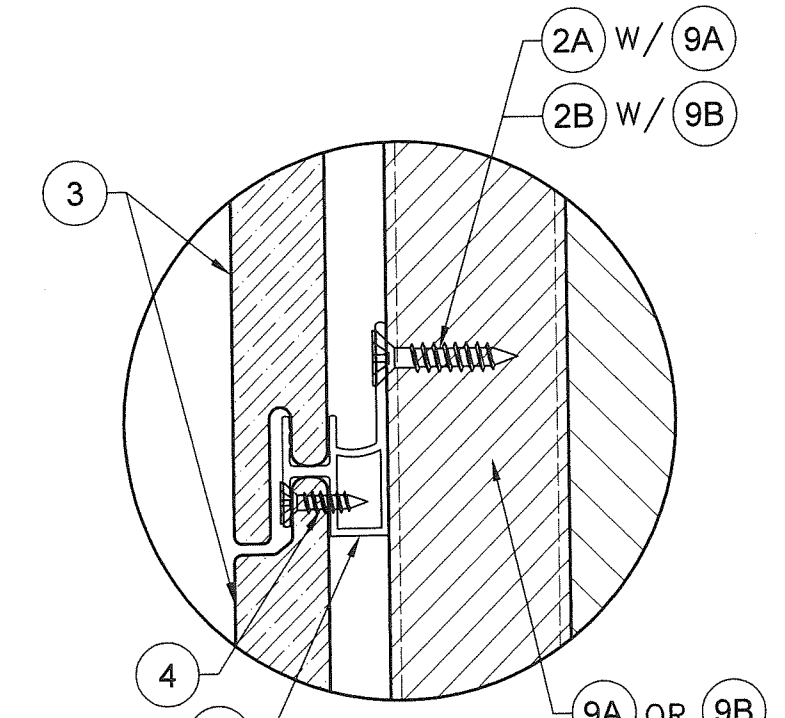
DETAIL 3
SCALE 1:1



DETAIL 4
SCALE 1:1



DETAIL 1
SCALE 1:1



DETAIL 2
SCALE 1:1

**TYPICAL CONNECTION OF 9A & 9B TO EXISTING STRUCTURE
(VERTICAL SECTION)**

N.T.S

M.P.	7/2/2020
DRAWN BY:	DATE:
20-168	
DRAWING NO.	
SHEET 3 OF 5	

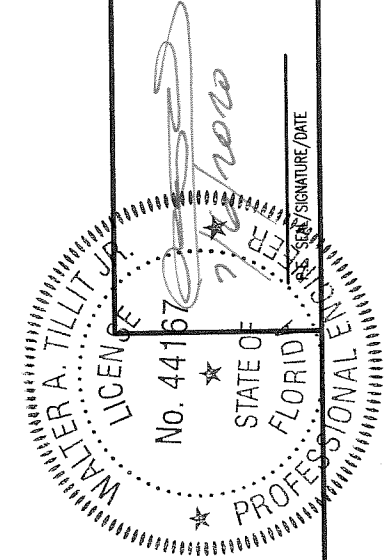
FLORIDA BUILDING CODE (HIGH VELOCITY HURRICANE ZONE)
NEW TECH WOOD WALL CLADDING PANEL
USOB SYSTEM

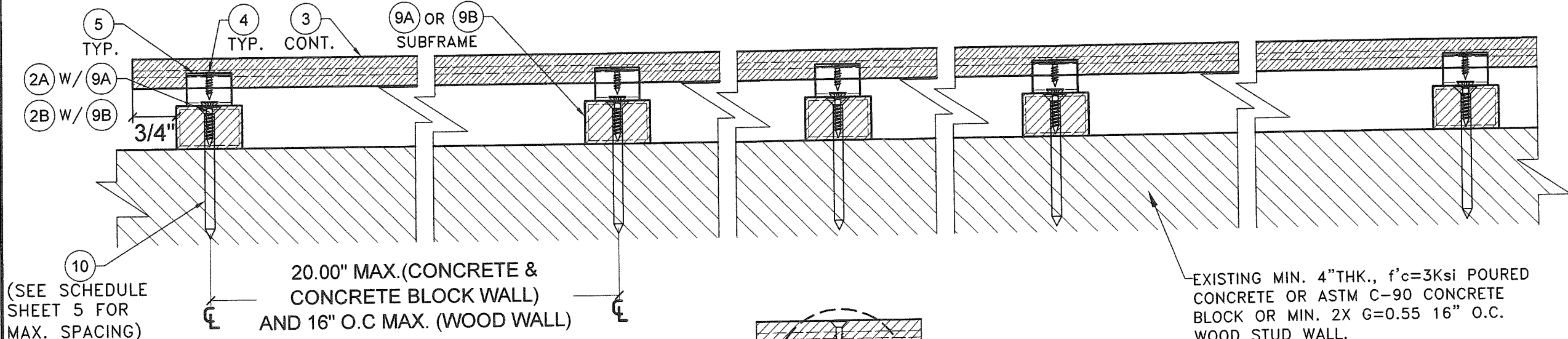
NewTechWood America Inc.
15912 INTERNATIONAL PLAZA DRIVE
HOUSTON, TEXAS 77032

REV. NO.	DESCRIPTION	DATE	REV. NO.	DESCRIPTION	DATE
1	ADD 1B-30B	7/2/2020	3		
2			4		

©2020 TILTECO, INC.

TILECO INC.
TILIT TESTING & ENGINEERING COMPANY
1101 W. 38th St., Ste. 305, VIRGINIA GARDENS, FL 32166
Phone: (352) 616-0067 FAX: (352) 616-1531
WALTER A. TILLIT JR., P.E.
FLORIDA Lic. # 44167



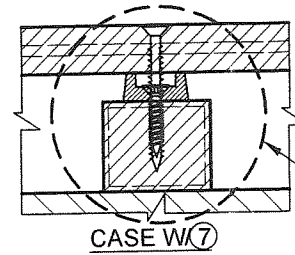


(SEE SCHEDULE SHEET 5 FOR MAX. SPACING)

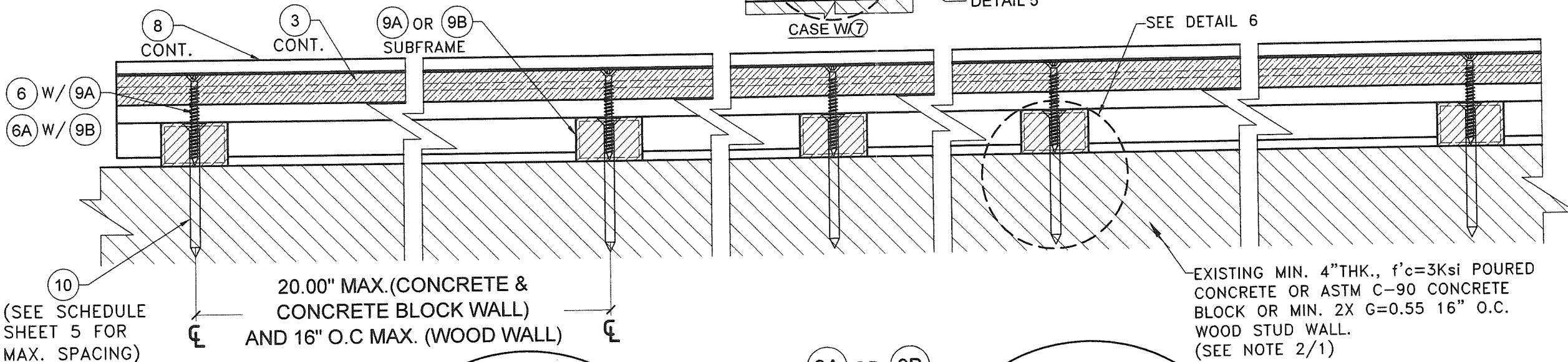
20.00" MAX. (CONCRETE & CONCRETE BLOCK WALL) AND 16" O.C MAX. (WOOD WALL)

EXISTING MIN. 4" THK., $f'_c=3\text{Ksi}$ POURED CONCRETE OR ASTM C-90 CONCRETE BLOCK OR MIN. 2X G=0.55 16" O.C. WOOD STUD WALL. (SEE NOTE 2/1)

SECTION B-B
N.T.S



DETAIL 5

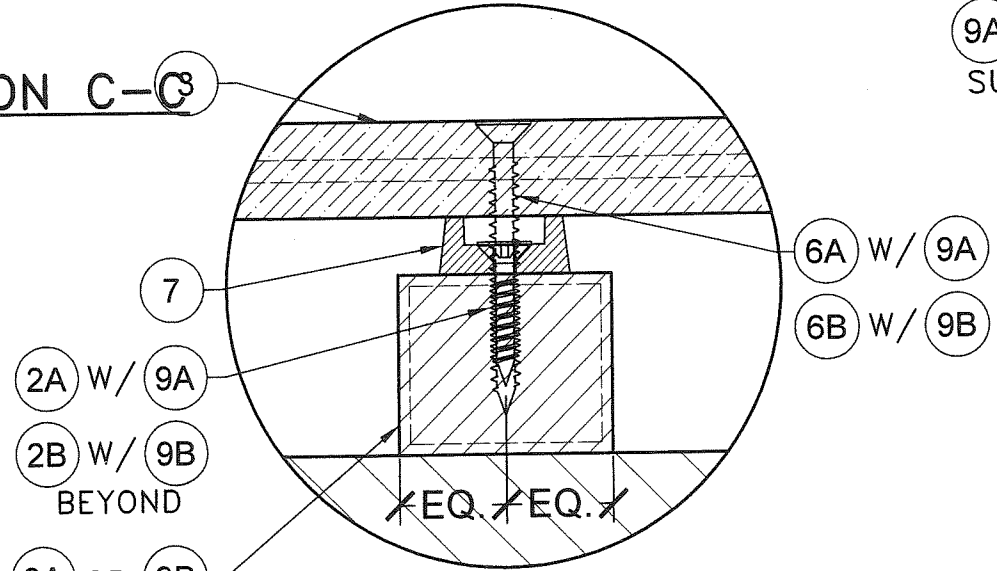


(SEE SCHEDULE SHEET 5 FOR MAX. SPACING)

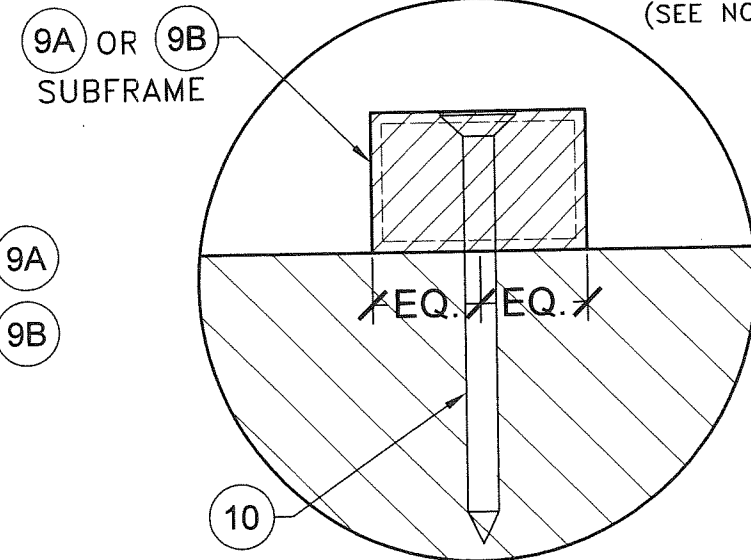
20.00" MAX. (CONCRETE & CONCRETE BLOCK WALL) AND 16" O.C MAX. (WOOD WALL)

EXISTING MIN. 4" THK., $f'_c=3\text{Ksi}$ POURED CONCRETE OR ASTM C-90 CONCRETE BLOCK OR MIN. 2X G=0.55 16" O.C. WOOD STUD WALL. (SEE NOTE 2/1)

SECTION C-C



DETAIL 5
SCALE 1:1

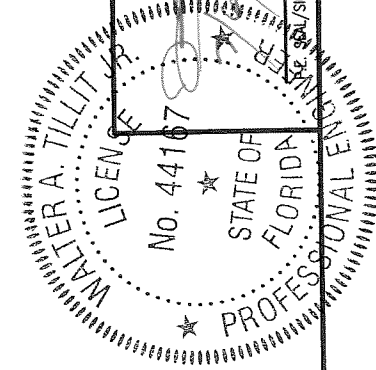


(SEE SCHEDULE SHEET 5 FOR MAX. SPACING) **DETAIL 6**
SCALE 1:1

FLORIDA BUILDING CODE (HIGH VELOCITY HURRICANE ZONE)
NEW TECH WOOD WALL CLADDING PANEL
USOP SYSTEM

NewTechWood America Inc.
15912 INTERNATIONAL PLAZA DRIVE
HOUSTON, TEXAS 77032

TILECO INC.
TILIT TESTING & ENGINEERING COMPANY
6355 N.W. 38th St., Suite 200, Virginia Beach, VA 23466
Phone: (800) 911-1531
WALTER A. TILIT Jr., P.E.
FLORIDA Lic. # 44167



M.P. DRAWN BY: 7/2/2020 DATE: 20-168 DRAWING No. SHEET 4 OF 5

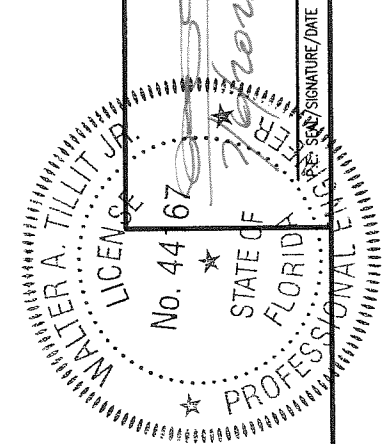
REV. NO.	DESCRIPTION	DATE	REV. NO.	DESCRIPTION	DATE
1			1		
2			2		
3			3		
4			4		
5			5		

ANCHOR SCHEDULE:

ANCHOR TYPE	SUBSTRATE AT WALL OR CEILING								
	CONCRETE MIN. f _c =3000 psi AT 28 DAYS			CONCRETE BLOCK WALL ASTM C-90			WOOD MIN. G = 0.55		
	MIN. E.D.	MIN. EMB.	MAX. SPC.	MIN. E.D.	MIN. EMB.	MAX. SPC.	MIN. E.D.	MIN. EMB.	MAX. SPC.
⑩	1"	1 3/4"	12" O.C.	1"	1 1/4"	6" O.C.	3/4"	1"	12" O.C.*

NOTE: MIN. E.D. & EMBEDMENT ARE BEYOND ANY FINISH MATERIAL AT EXISTING WALL (SEE NOTE 2/1)

- * - MUST COINCIDE WITH LOCATION OF EXISTING 2X WOOD STUDS SPACED @ 16" O.C @ EXISTING WALL (SEE NOTE 2/1).
- MAX. 12" O.C INDICATED SPACING IS VERTICAL SPACING ALONG EXISTING STUD'S HEIGHT.
- MIN. 1" EMBEDMENT IS AT EXISTING 2X WOOD STUD BEYOND ANY EXISTING SHEATHING AND WALL FINISH. SHEATHING MUST COMPLY WITH SECTIONS 1626.4(2), 1404.2 OF THE FLORIDA BUILDING CODE.
- FASTENER MUST BE INSTALLED AS MIDWIDTH OF EXISTING 2 X STUD.



©2020 TILTECO, INC.
TILTECO INC.
 TILIT TESTING & ENGINEERING COMPANY
 6359 N.W. 36th St., Ste. 435
 Virginia Gardens, FL 33166
 Phone: (305)977-1531
 FAX: (305)977-1531
 WALTER A. TILLIT JR., P.E.
 FLORIDA Lic. # 44167

FLORIDA BUILDING CODE (HIGH VELOCITY HURRICANE ZONE)
 NEW TECH WOOD WALL CLADDING PANEL
 USOB SYSTEM
NewTechWood America Inc.
 15912 INTERNATIONAL PLAZA DRIVE
 HOUSTON, TEXAS 77052

REV. NO.	DESCRIPTION	DATE	REV. NO.	DATE
1	ADD 18-08B	12/2/2020	3	-
2	-	-	4	-
3	-	-	5	-

M.P.
 DRAWN BY: 7/2/2020
 DATE: 20-168
 DRAWING No.
 SHEET 5 OF 5