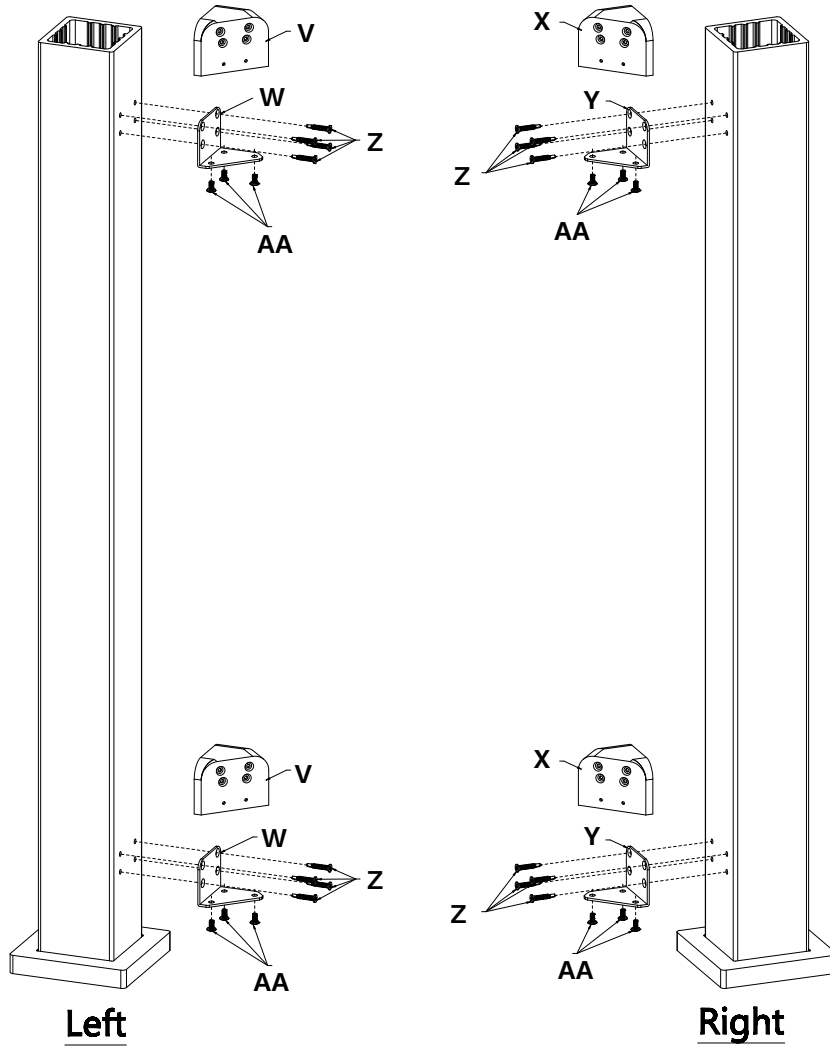


# 45 DEGREE ANGLE BRACKET PARTS



V - Left side 45 degree connector  
(X2)



W - Left side angle bracket  
(X2)



X - Right side 45 degree connector  
(X2)



Y - Right side angle bracket  
(X2)



Z - Screw  
# 10 x 1 3/16"  
(X16)



AA - Screw  
# 10 x 3/8"  
(X12)



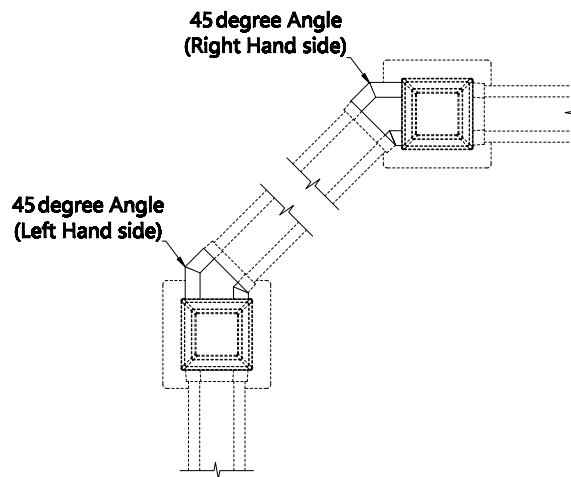
AB - M3 Hex wrench  
(X1)



AC - Template card  
(X1)



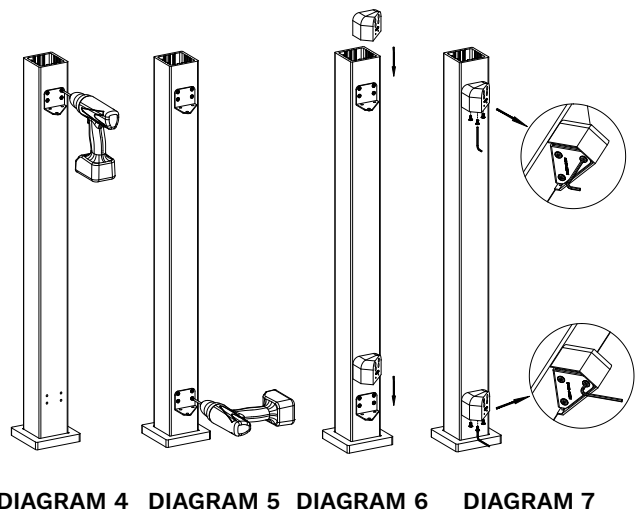
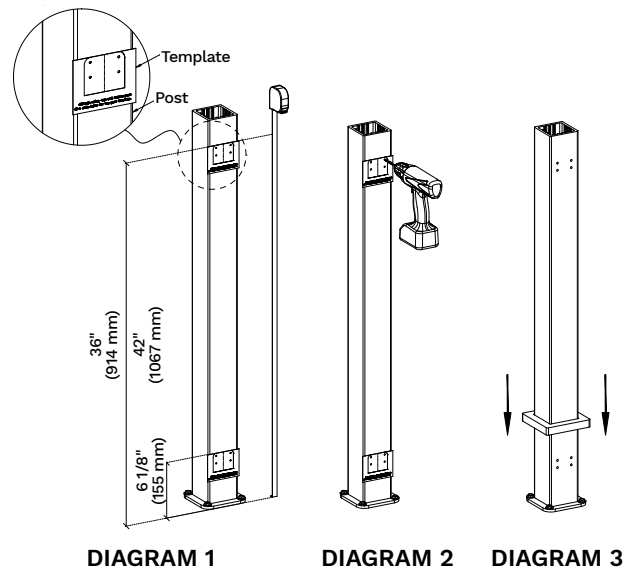
# 45 DEGREE ANGLE BRACKET INSTALLATION



## IMPORTANT POINTS:

- This bracket can only be used to install a 45 degree angle onto the post.
- There are a total of 4 brackets, 2 for each side (left and right).

- 1 First measure your post to ensure it has the dimensions shown in Diagram 1. Next take the template card (AC) and place it at the dimensions show in Diagram 1.
- 2 Take an electric drill and predrill holes through the template as shown in Diagram 2.
- 3 Lower the post skirt (K) over the post sleeve (N) as shown in Diagram 3.
- 4 Next take either the left side angle bracket (W) or the right side angle bracket (Y) and place it in front of the predrilled holes as shown in Diagram 4. Next take four screws (Z) and secure the bracket to the post.
- 5 Repeat step 4 but install the bracket for the bottom of the rail as show in Diagram 5.
- 6 Now take either the left side 45 degree connector (V) or the right side 45 degree connector (X) depending on what you installed in step 4 and put it over the top of the previously installed onto the post as shown in Diagram 6.
- 7 Once the connector has covered the bracket secured to the post take the Hex wrench (AB) provided and secure to the underside of the bracket three screws (AA) as shown in Diagram 7. This will secure both connector and bracket together to create the final angled bracket.



Now that the angle bracket has been installed, please refer to the step 8 of page 20 of the regular straight railing installation guide to finish the rest of the railing installation.