



Deck Tile Installation Guide

v20211019



NewTechWood

CONTENTS

Important Note	1
Deck Tile Installation	2 - 3
Removing Tiles	3
Cutting Deck Tile	4 - 5
Slat Tile Installation	6 - 9
Fascia/Trim Installation	10
Installing Deck Tile Stair Trim	11 - 12

IMPORTANT NOTE:

Read All Sections Before You Start

For the most up to date information, please visit our website @ www.newtechwood.com

Prior to installing any composite product, it is recommended that you check with local building codes for any special requirements or restrictions. The diagrams and instructions outlined in this guide are for illustration purposes only and are not meant or implied to replace a licensed professional. Any construction or use of NewTechWood must be in accordance with all local zoning and/or building codes. The consumer assumes all risks and liability associated with the construction and use of this product.

Safety

When dealing with any type of construction project, it is necessary to wear appropriate safety equipment to avoid any risk of injuries. NewTechWood recommends but is not limited to the following safety equipment when handling, cutting, and installing the Deck Tile: gloves, a respiratory protection, long sleeves, pants, and safety glasses.

Tools

Standard woodworking tools may be used. It is recommended that all blades have a carbide tip.

Environment

A clean, smooth, flat, and strong surface is needed to install Deck Tile correctly. Please check with local building codes before ever installing any type of decking. If installation does not occur immediately, NewTechWood's products need to be put on a flat surface at all times. Never ever should it be put on a surface that is NOT flat.

Static

Static can also be more prevalent in areas that are of higher altitude because the humidity is lower. For these areas, be careful of using conducive objects such as metal railing and chairs as static shocks might occur more often. A potential way to lower the amount of static shocks occurring is to apply Staticide (www.aclstaticide.com) on your deck or use anti-static mats before doorways. NewTechWood's products have been tested against EN 1815 - Assessment of Static Electrical Propensity and have received values under the maximum standard of 2kV.

Layout

Before installing the Deck Tile, always make sure that you are installing it on a clean smooth flat surface. The Deck Tile CANNOT be installed on places such as dirt, soil, or raised structure it must be laid out on a flat solid surface.

Deck Tile Installation

The Deck Tile is relatively easy to install using its four side interlocking base making it very user friendly. Each side has two male and female connectors that connect to an adjacent tile, these connectors are circled in **Diagram 1**.

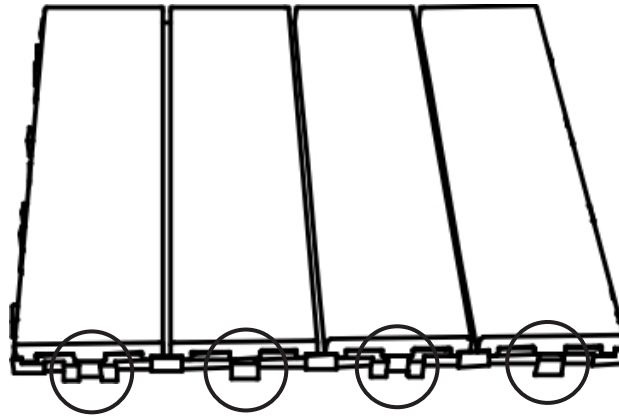


DIAGRAM 1

- 1 Place the first tile in a corner along the edge of the area you will be installing, as shown in **Diagram 2**.

Note:

There must be at least a 1/2" (12 mm) gap between walls or any object to allow for expansion and contraction. Failure to do so could result in warping of the tile, buckling, or other damage.

This gap must be respected even when a trim or fascia is used on the deck tile.

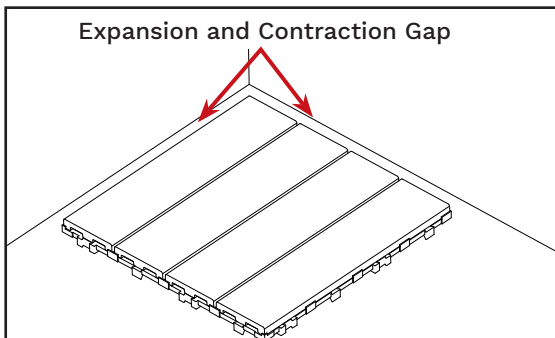


DIAGRAM 2

- 2 Next, take another tile and determine which type of pattern/style you like to do. Vertical is shown in **Diagram 3** and horizontal is shown in **Diagram 4**.

Protip: Mix around the different styles (vertical and horizontal) to give your deck a unique look.

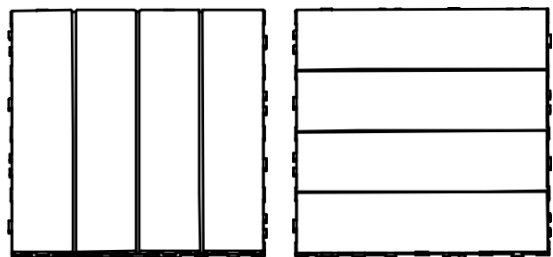


DIAGRAM 3

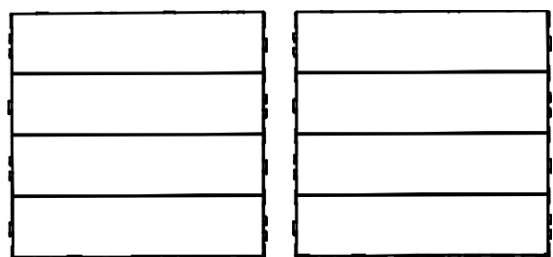


DIAGRAM 4

- 3 Now, take the second tile and align the connectors up with the first tile, as shown in **Diagram 5**.

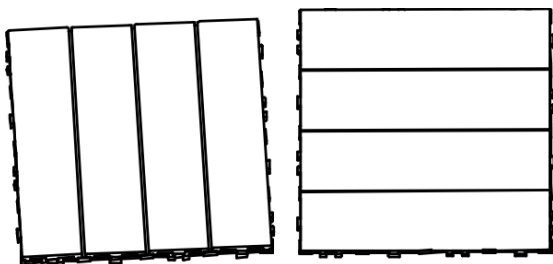


DIAGRAM 5

- 4 Then, attach the first two connectors into each other, as shown in **Diagram 6**. You might need to lift up on one of the tiles to get a better grip.

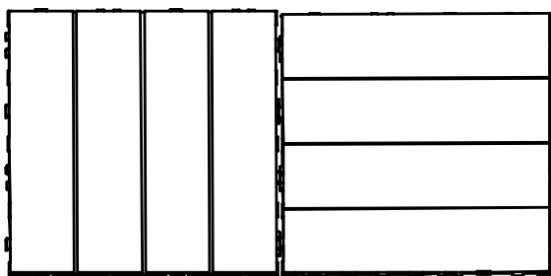


DIAGRAM 6

- 5 Finally, attach the last two connectors and push down to lock everything into place, as shown in **Diagram 7**.

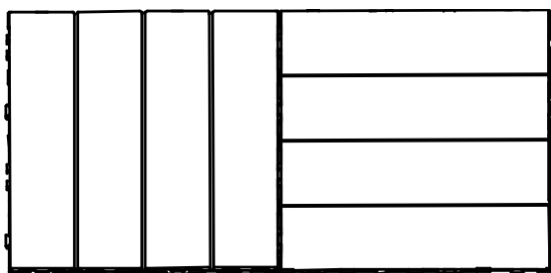


DIAGRAM 7

- 6 Repeat steps 1-5 until deck is completed.

Removing Tiles

- 1 If a tile needs to be removed, the best way is to first have one hand grip one tile's edge and the other to be on the adjacent tile, as shown in **Diagram 8**.

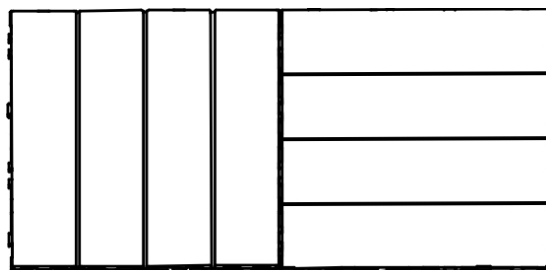


DIAGRAM 8

- 2 Next, with the gripping the tile pull up towards your body while the other hand pushes down on the adjacent tile, as shown in **Diagram 9**.

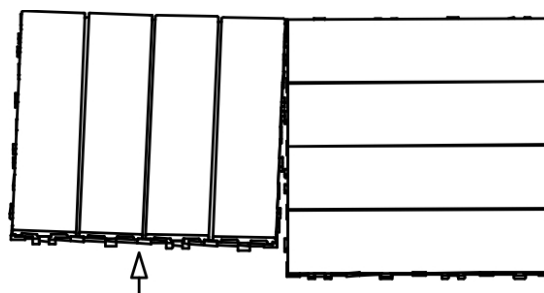


DIAGRAM 9

- 3 Continue to pull with the gripped hand until finally all connectors are separated from the adjacent tile, as shown in **Diagram 10**.

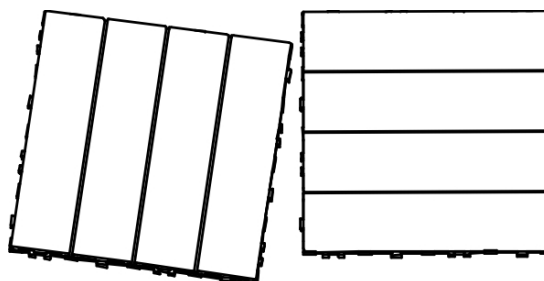


DIAGRAM 10

Cutting Deck Tile

Cutting the Deck Tile is simple and quick. Just remember that you need a carbide tip blade when cutting.

Corners/Edges

- 1 First, measure the corner/edge that will need to be cut, as shown in [Diagram 11](#).

Note:

There must be at least a 1/2" (12 mm) gap between walls or any object to allow for expansion and contraction. Failure to do so could result in warping of the tile, buckling, or other damage.

This gap must be respected even when a trim or fascia is used on the deck tile.

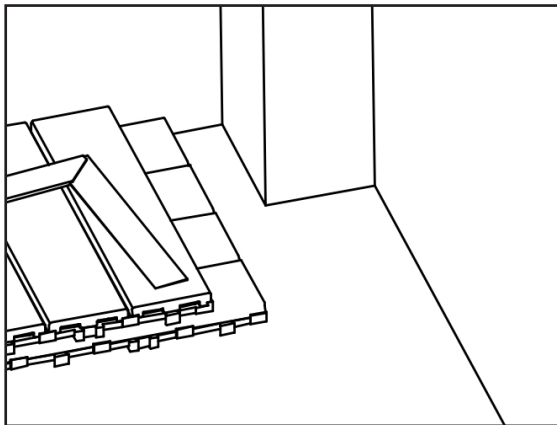


DIAGRAM 11

- 2 Next, take the piece and redraw the measured area that you will be cutting onto the Deck Tile.

- 3 Then, take the Deck Tile and cut either with a circular saw, table saw, hand saw, or jigsaw. Always remember to use a carbide tip blade on these tools, as shown in [Diagram 12](#). The final piece we cut for this corner is shown in [Diagram 13](#).

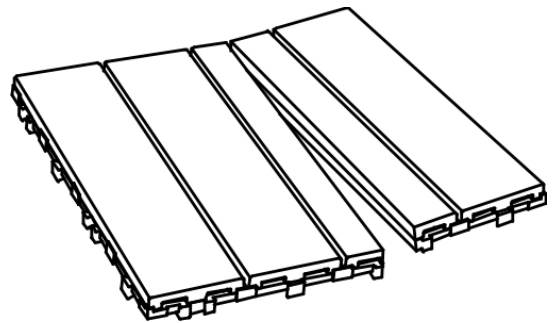
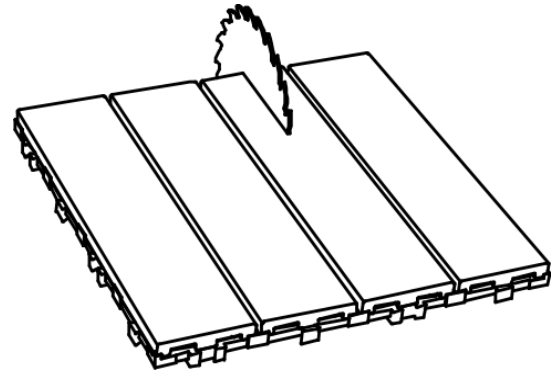


DIAGRAM 12

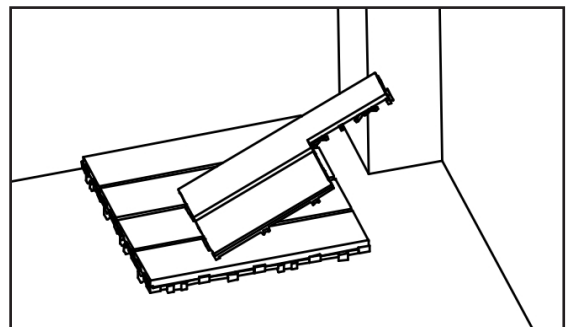


DIAGRAM 13

Note: Before cutting, always turn the Deck Tile over and make sure that the cut lines you have marked on the Deck Tile do not cross over any screws on the back. Never ever should you be cutting through the screws, as shown in *Diagram 14*. If your lines cross over these screws, first unfasten the screws and then cut the Deck Tile.

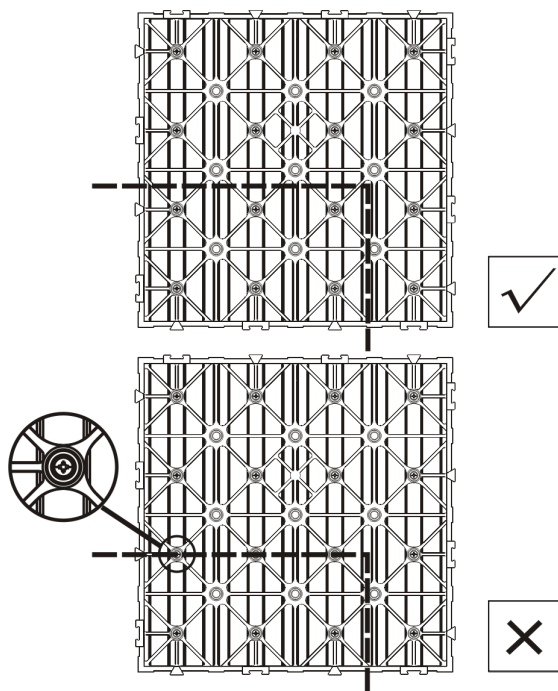


DIAGRAM 14

- 4** Now, take the Deck Tile and sand down the sides of the cuts to make them smooth, as shown in *Diagram 15*.

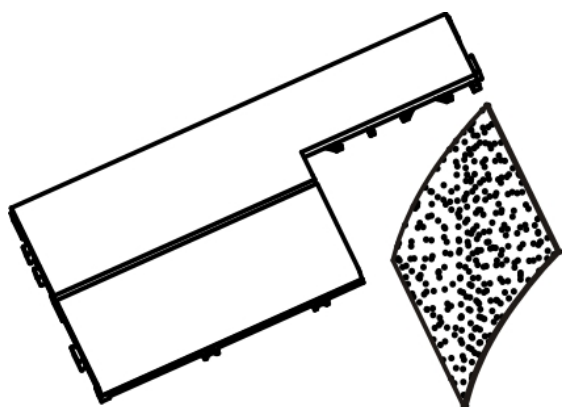


DIAGRAM 15

- 5** Finally, put the finished piece in its corner/ edge, as shown in *Diagram 16*.

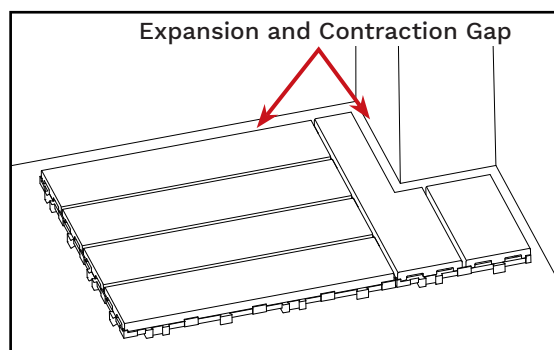


DIAGRAM 16

- 6** Repeat steps 1-5 for any other corners/ edges until the deck is completed.

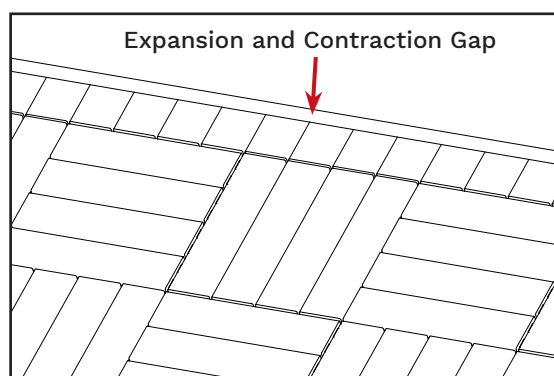


DIAGRAM 17

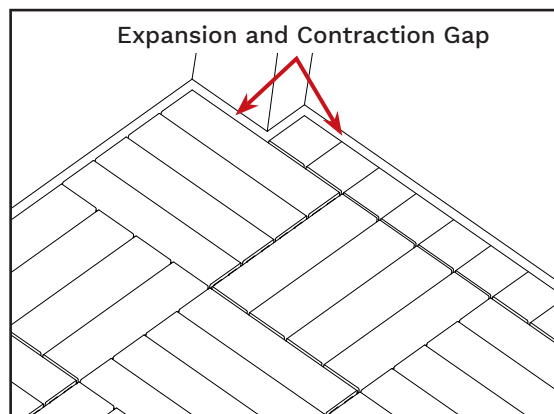


DIAGRAM 18

Note: There must be at least a 1/2" (12 mm) gap between walls or any object to allow for expansion and contraction. Failure to do so could result in warping of the tile, buckling, or other damage.

This gap must be respected even when a trim or fascia is used on the deck tile.

Slat Tile Installation

When the gap between the installed Deck Tiles and the wall is less than 12 7/16" (316mm), as shown in **Diagram 19**, **Single Slat Tile** is the appropriate accessories to complete the Deck Tile installation neatly and seamlessly. See **Table 1** shown below on how to make the slat tile selection.

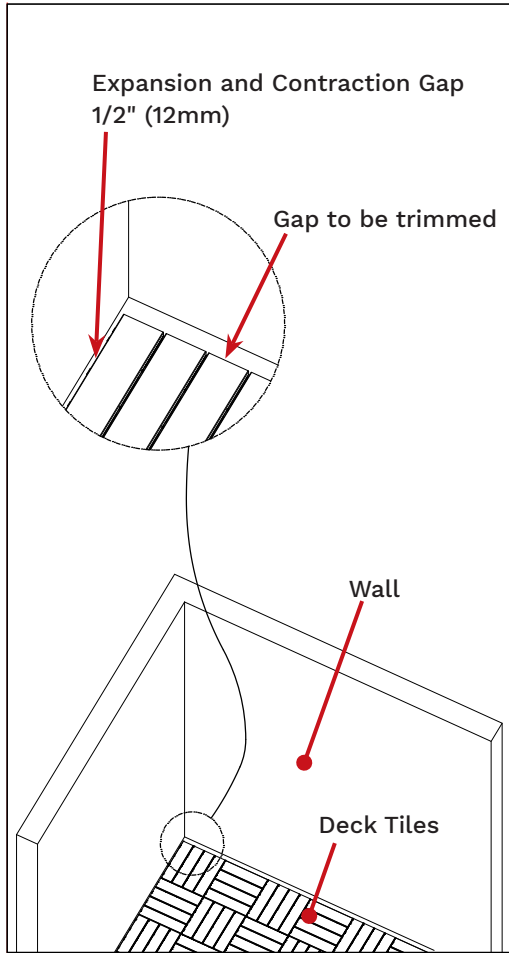
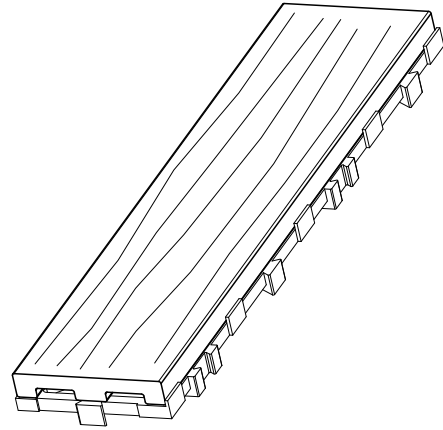


DIAGRAM 19



Single Slat Tile

Gap Range	Selection of Tile
12 3/8" (315mm) to 11 7/16" (290mm)	Deck Tile
11 3/8" (289mm) to 3 1/2" (88mm)	Single Slat Tile

TABLE 1

- 1 Measure the gap in-between the installed Deck Tile's edge and the wall, as shown in **Diagram 20**. Then, select which kind of tile to be used according to **Table 1** on page 6.

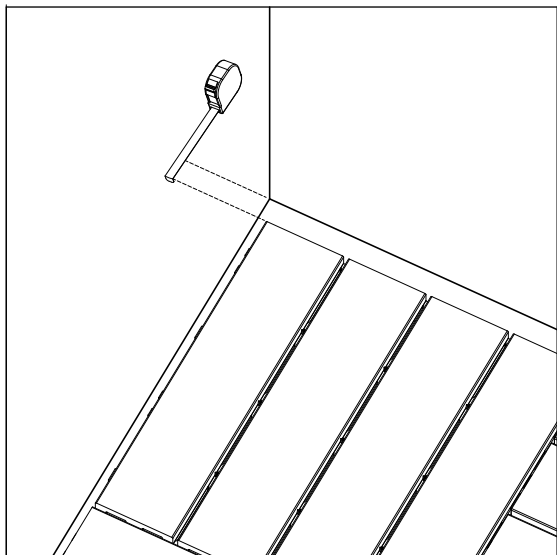


DIAGRAM 20

- 2 Draw the cutting line according to the measured dimension, as shown in **Diagram 21**.

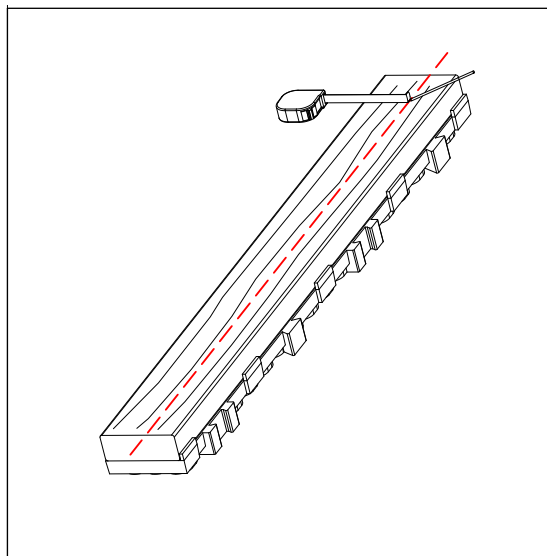
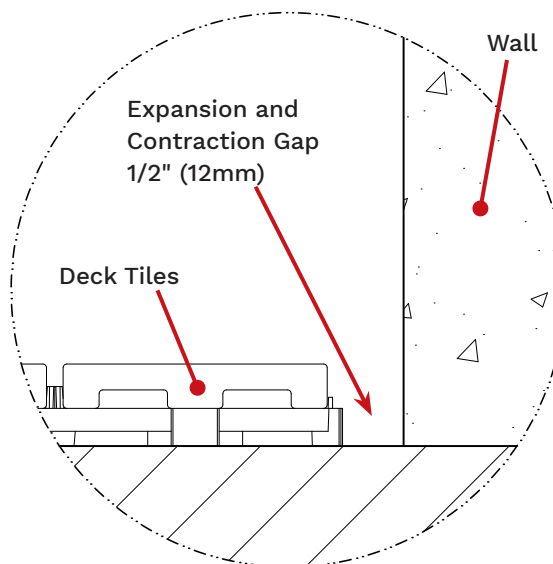


DIAGRAM 21

Note: A minimum gap of 1/2" (12mm) needs to be left between the cut slat tile and the wall to allow the Deck Tile for expansion and contraction due to temperature change, as shown in *Detail 21-1*.



Detail 21-1

- 3 Before cutting, always turn over the slat tile and ensure that the cutting line do not cross over any screws, as shown in **Diagram 22**. Never cut any lines that have screw interfering as they pose a risk for injury. It is recommended to re-design the cutting path where the cutting lines do no cross the screws.

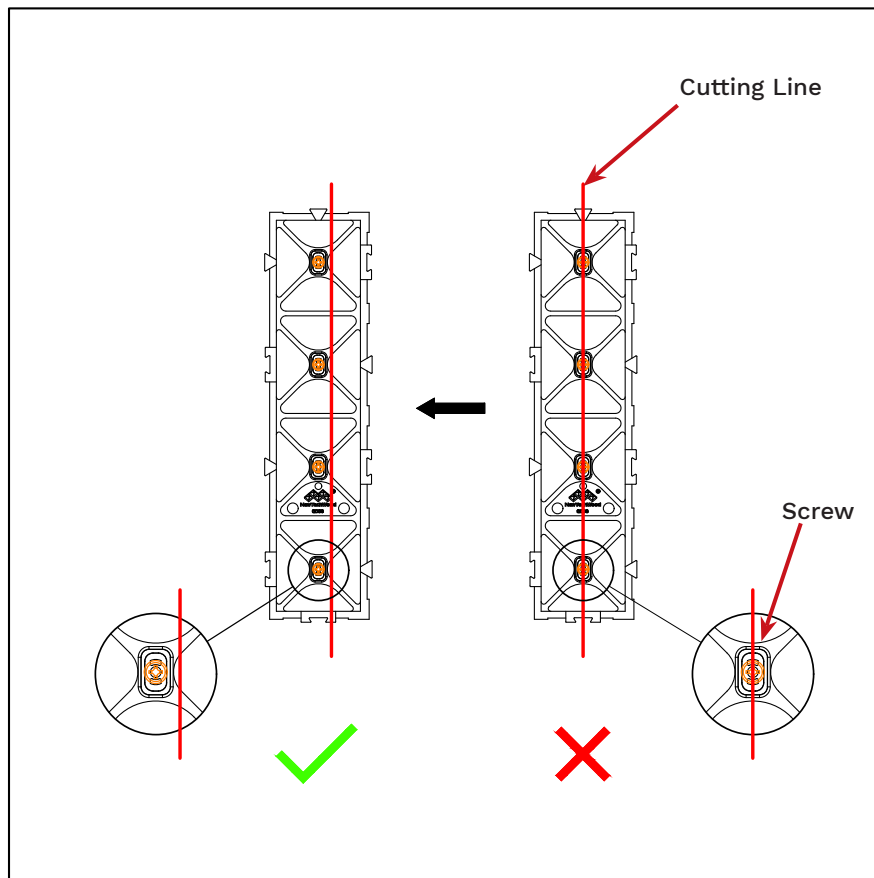
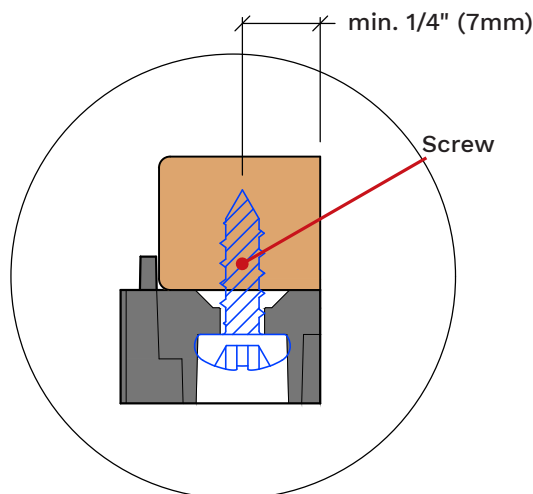


DIAGRAM 22

Note:

1. The distance between the screw's center and the cut slat tile's edge can not be less than 1/4" (7mm), as shown in *Detail 22-1*.



Detail 22-1

- 4 Cut the slat tiles along the cutting lines, and sand the cut edge smooth with sandpaper, as shown in **Diagram 23**.

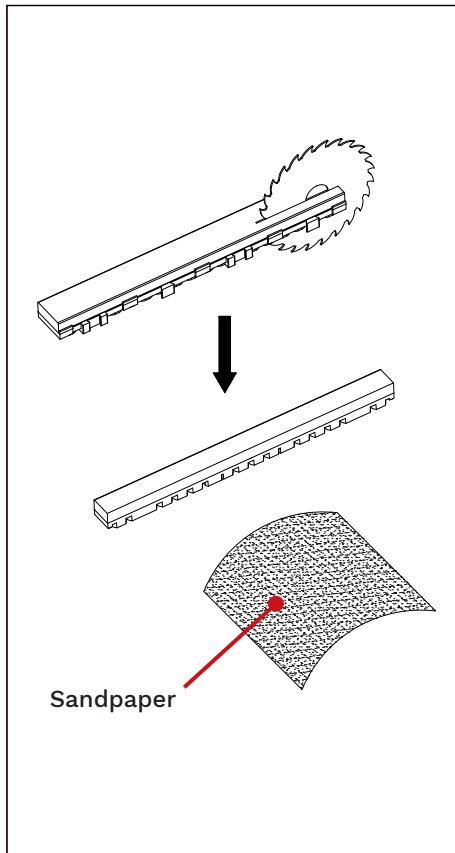


DIAGRAM 23

- 5 Put the cut single tiles in place and align the interlocking connectors with the Deck Tile, as shown in **Diagram 24**. Then push down to lock it with the Deck Tiles.

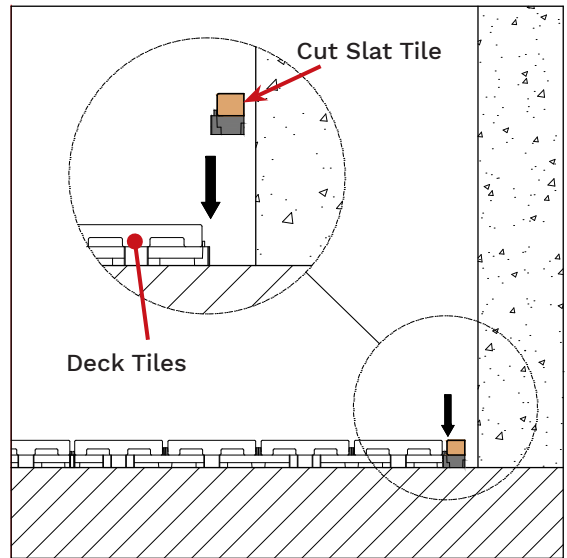


DIAGRAM 24

- 6 **Diagram 25** presents the final appearance after completing the installation.

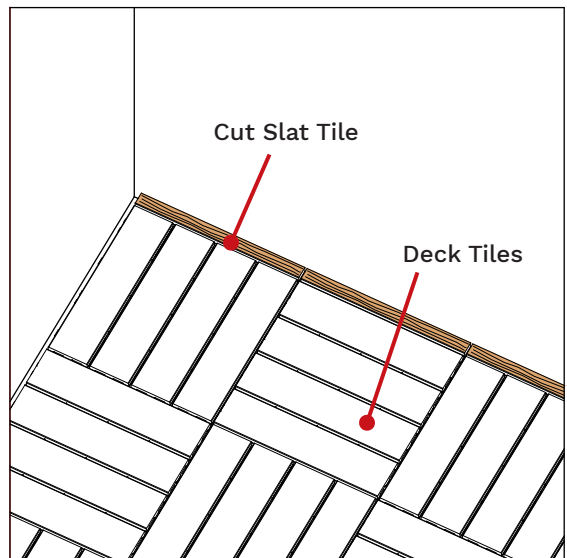


DIAGRAM 25

Fascia/Trim Installation

Installing Fascia

The Deck Tile has three different fascia options: straight, inward and outward fascia.

Straight Fascia

Place the straight fascia, as shown in [Diagram 26](#) to finish the deck.

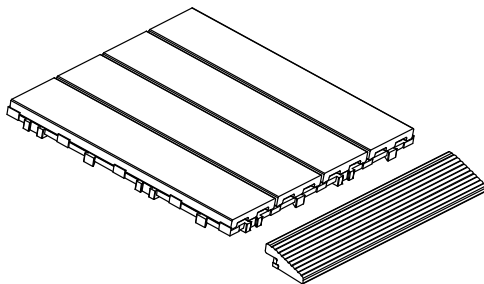


DIAGRAM 26

Outward Fascia

Place the outward fascia, as shown in [Diagram 27](#) to finish the deck's corner.

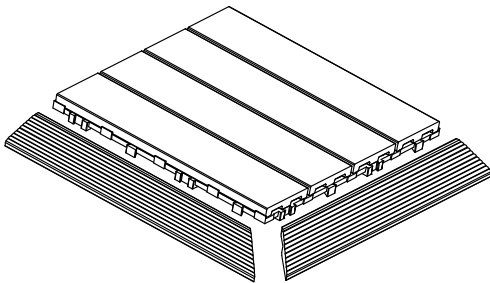


DIAGRAM 27

Inward Fascia

Place the inward fascia, as shown in [Diagram 28](#) to finish the deck's corner.

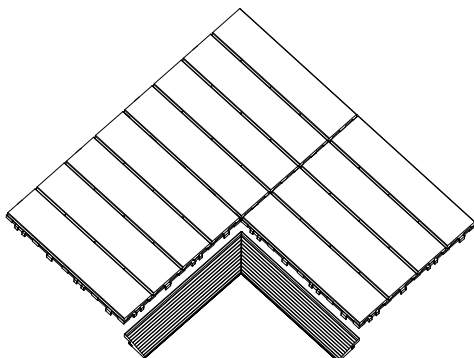


DIAGRAM 28

Installing Trim

The Deck Tile has three different trim options: straight, inward and outward trim.

Straight Trim

Place the straight trim, as shown in [Diagram 29](#) to finish the deck.

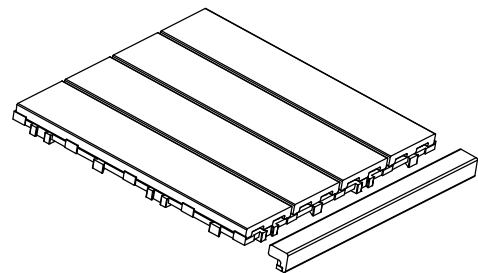


DIAGRAM 29

Outward Trim

Place the outward trim, as shown in [Diagram 30](#) to finish the deck's corner.

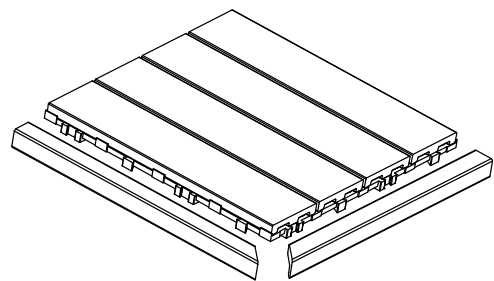


DIAGRAM 30

Inward Trim

Place the inward trim, as shown in [Diagram 31](#) to finish the deck's corner.

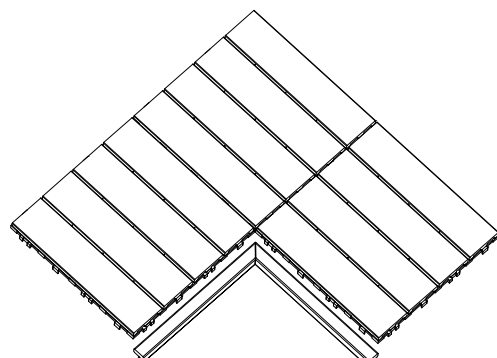


DIAGRAM 31

Installing Deck Tile Stair Trim

- 1 First figure out what kind of material you are laying your quick deck over.

We will go over three different types of material:

- a. Wood
- b. Metal
- c. Concrete

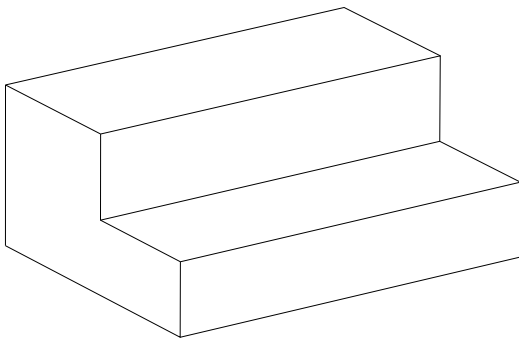


DIAGRAM 39

a. Wood

For wood #6 wood screws that are 1" (25.4mm) will be used to fasten the stair trims grid to the wood, as shown in [Diagram 26](#).

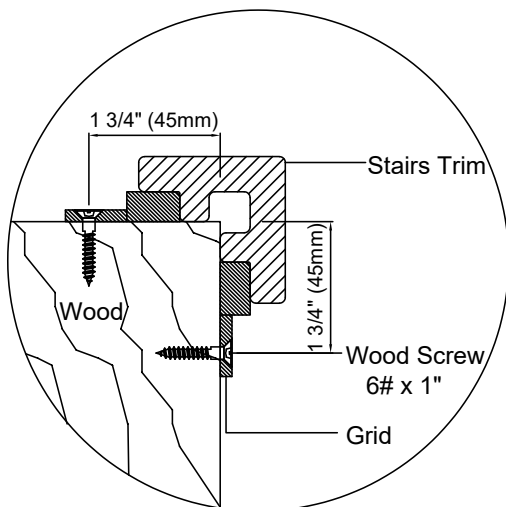


DIAGRAM 40

b. Metal

For metal #6 drilling screws that are 3/4" (19mm) will be used to fasten the stair trims grid to the metal, as shown in [Diagram 41](#).

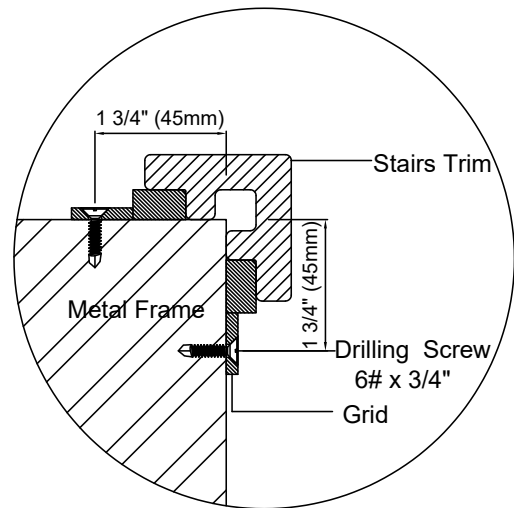


DIAGRAM 41

c. Concrete

For concrete a combination of #6 wood screws that are 1 1/2" (38mm) and a plastic anchor will be used to fasten the stair trims grid to the concrete, as shown in [Diagram 42](#).

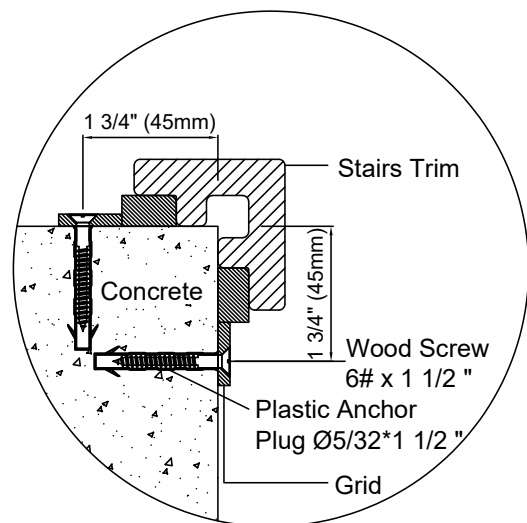


DIAGRAM 42

- 2 After figuring out which material you will be installing your stair trim on start installing, as shown in **Diagram 43**. Ensure that when installing more than one stair trim that the gap between the stair trim is similar to that of the deck tile for an overall even look and also to allow for expansion and contraction.

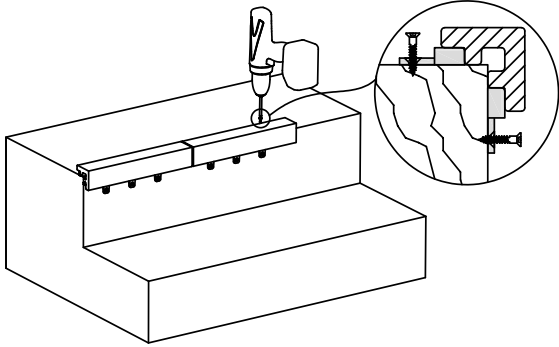


DIAGRAM 43

- 3 If the stair trim does not fit exactly it will need to be cut down to size. First measure the remaining distance, as shown in **Diagram 44**.

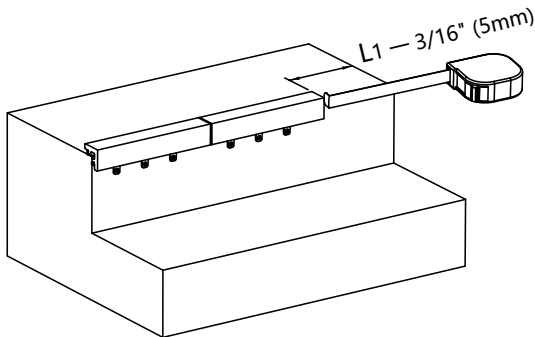


DIAGRAM 44

- 4 Next take your measurement and mark it on the stair trim and cut accordingly, as shown in **Diagram 45**.

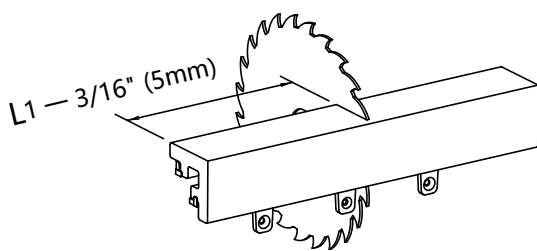


DIAGRAM 45

- 5 Install the cut stair trim, as shown in **Diagram 46**.

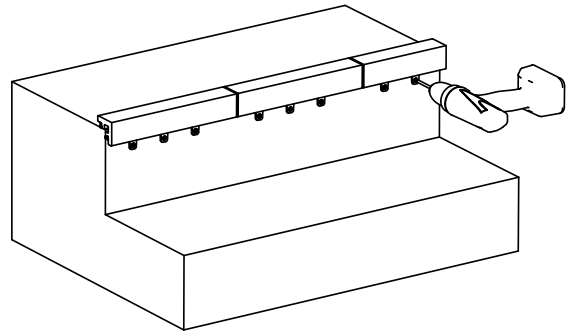


DIAGRAM 46

- 6 Install the rest of the stairs with stair trims, as show in **Diagram 47** if there are multiple stair treads present.

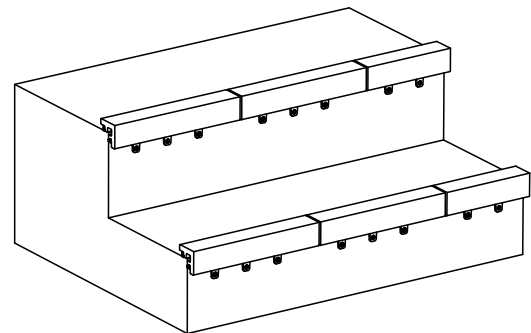


DIAGRAM 47

- 7 Now the deck tiles can be installed onto the stair trims, as shown in **Diagram 48**.

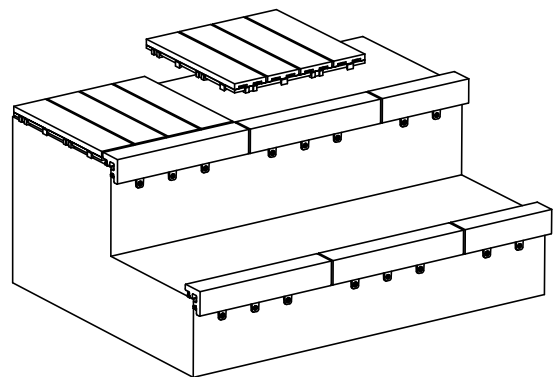


DIAGRAM 48

- 8 If your tile needs to be cut, as shown in **Diagram 49** ensure that the screws are taken out if the cut you are making is directly over the screws on the grid.

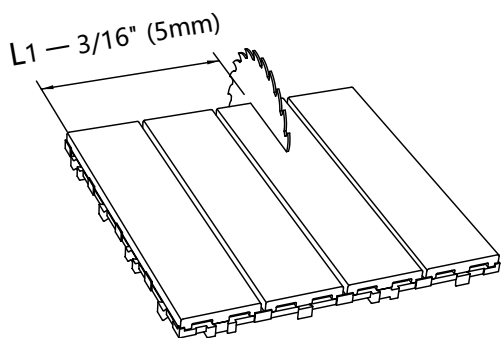


DIAGRAM 49

- 9 Install the cut deck tile, as shown in **Diagram 50**.

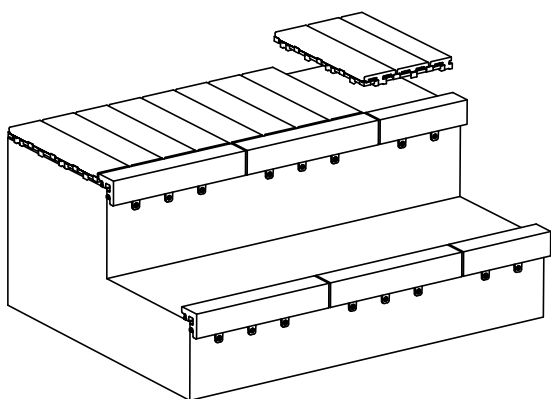


DIAGRAM 50

- 10 Next the riser and stair tread needs to be installed with deck tiles.

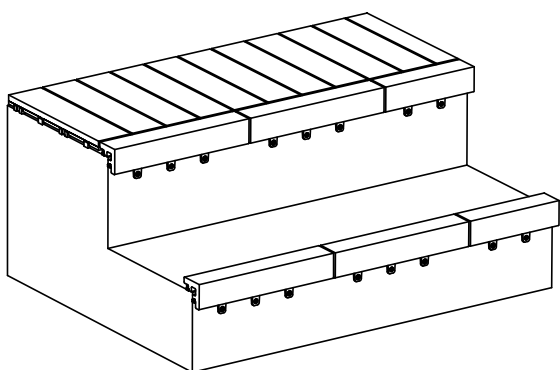


DIAGRAM 51

- 11 First measure the risers and stair treads, as shown in **Diagram 52**.

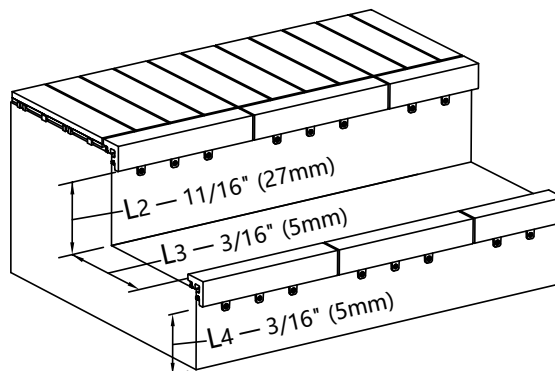


DIAGRAM 52

- 12 Cut the Deck Tiles to fit on the risers and stair treads, as shown in **Diagram 53**. If you are cutting a line where the screws are fixed on the grid first unfasten the screws on the grid and then cut the Deck Tiles according to the measured dimension.

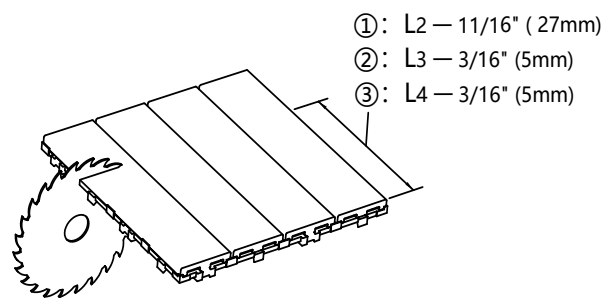


DIAGRAM 53

- 13 Install the cut Deck Tiles for the stair treads, as shown in **Diagram 54**. Align the interlocking connectors of the stair tread tiles with the stair trim, then push down to lock it with the stair trim.

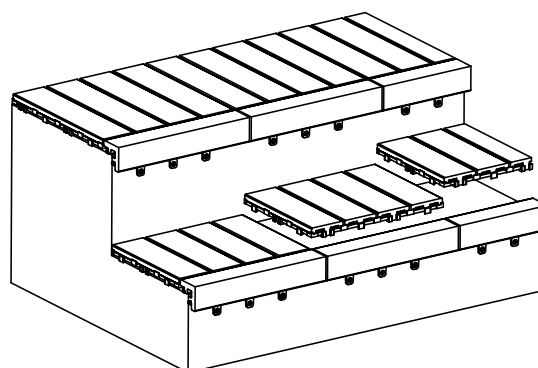


DIAGRAM 54

- 14 Next install the cut Deck Tiles for the risers, as shown in **Diagram 55**. Align the interlocking connectors of the riser tiles with the stair trim, then push down to lock it with the stair trim.

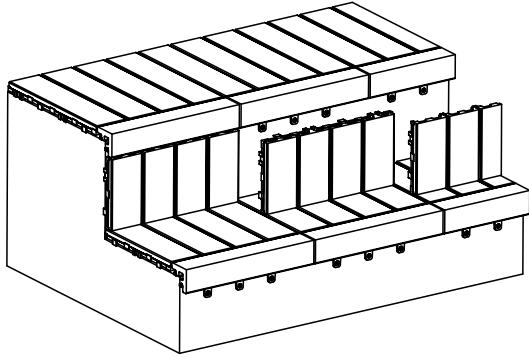


DIAGRAM 55

- 15 Repeat steps 11 and 12 for the remaining stair treads and risers, as shown in **Diagram 56**.

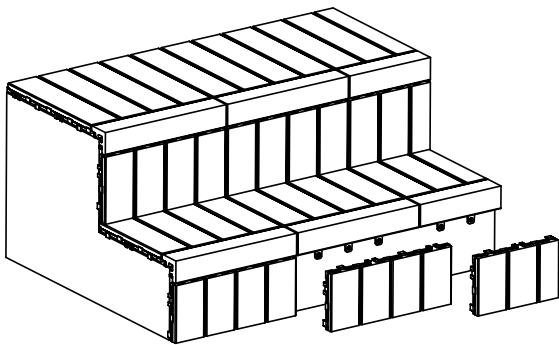


DIAGRAM 56

- 16 **Diagram 57** shows a completed staircase with the stair trims along with the tiles.

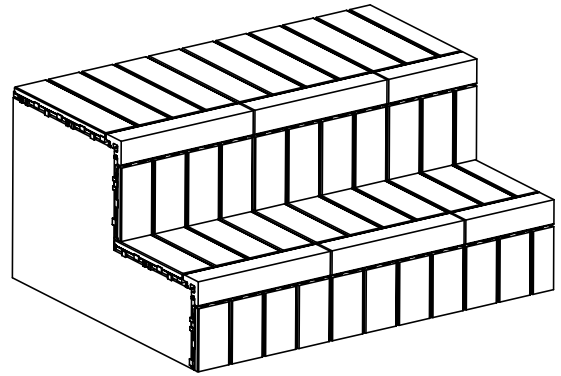


DIAGRAM 57



Deck Tile Installation Guide

v20211019

©2021 Newtechwood Corporation

NewTechWood® is a registered trademark of Newtechwood Corporation.

To obtain a copy of the most current version of this installation guide,

visit us online at www.newtechwood.com.



NewTechWood